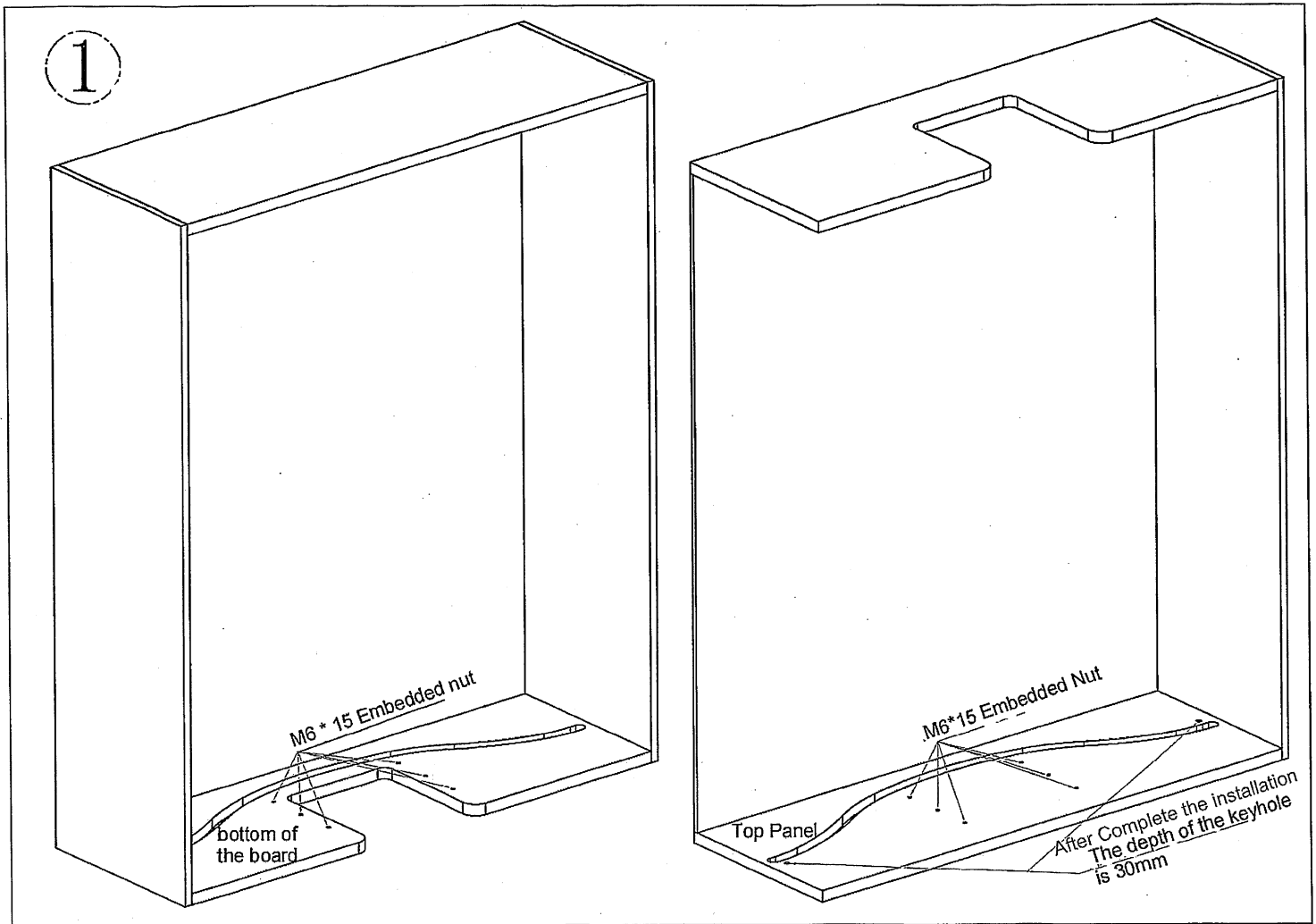


XROTO60

Rotating Wall Bed System



Selby Furniture Hardware Co. Inc.

321 Rider Ave.

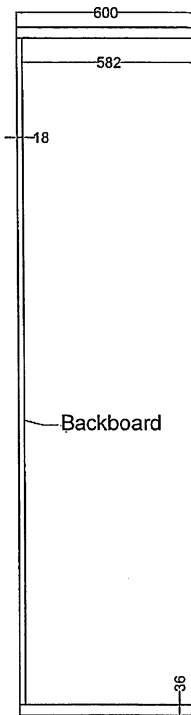
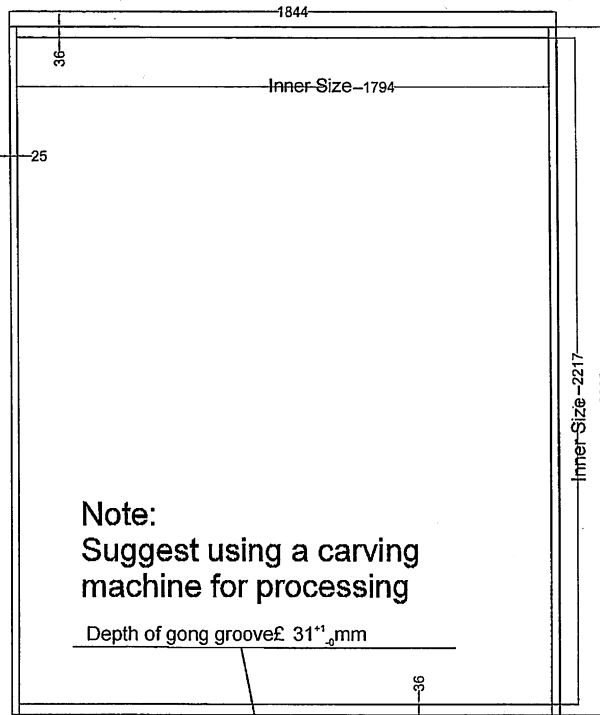
Bronx, NY 10451

Tel: 1-718-993-3700

e mail: info@selbyhardware.com

2

Outside the cabinet



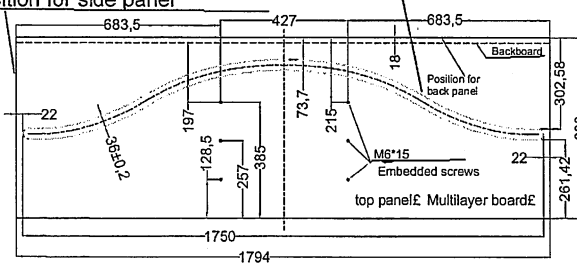
Mattress Size:
1524*2032*160MM
Weight 33±1kg

Note:
Suggest using a carving
machine for processing

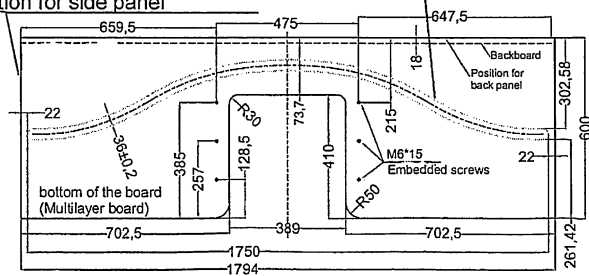
Depth of gong groove£ 31**₀mm

Depth of gong groove£ 31**₀mm

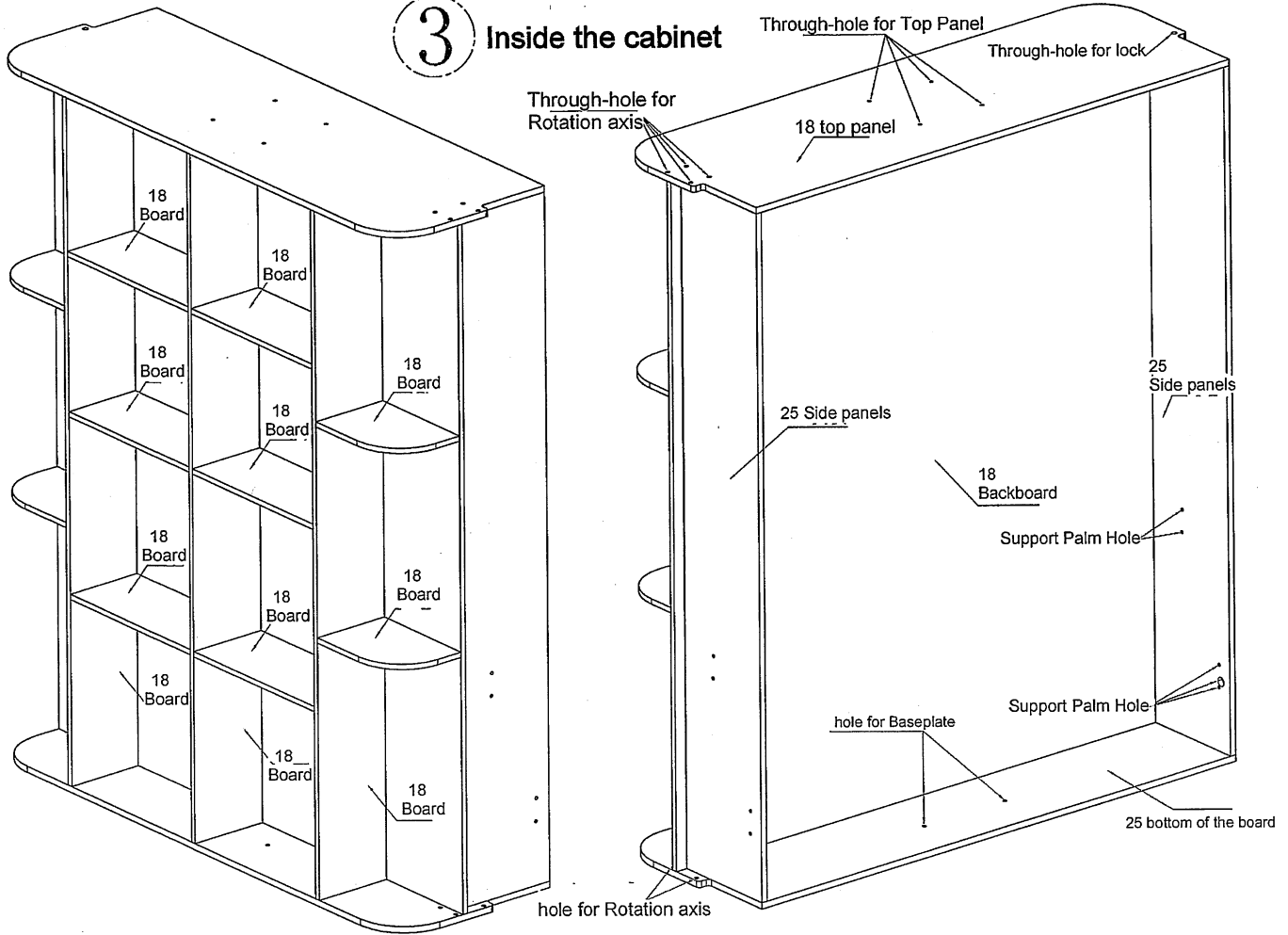
Position for side panel



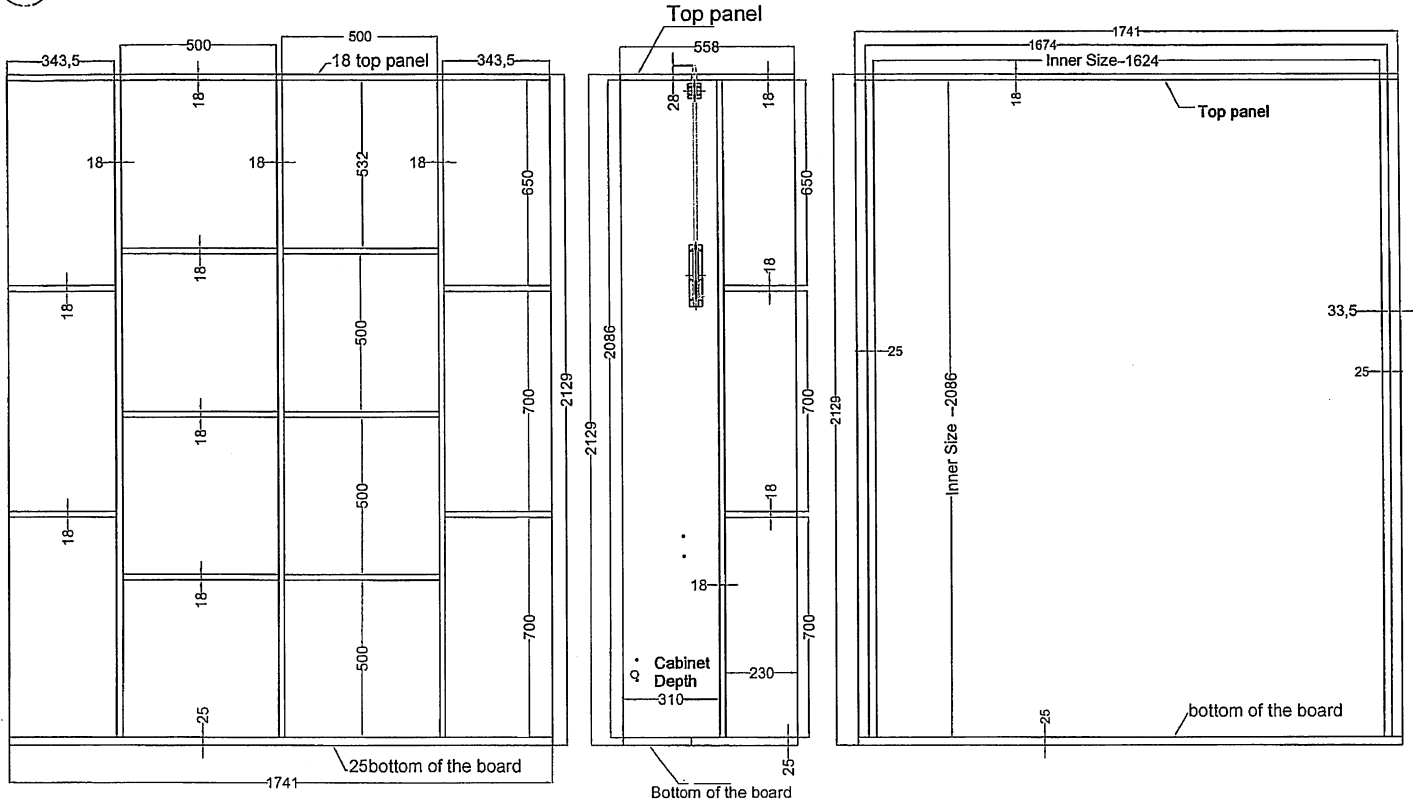
Position for side panel



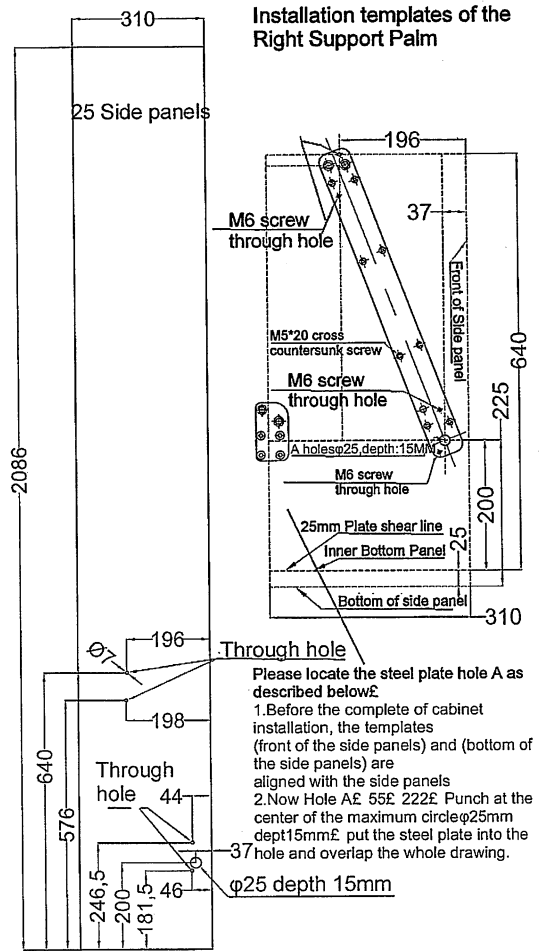
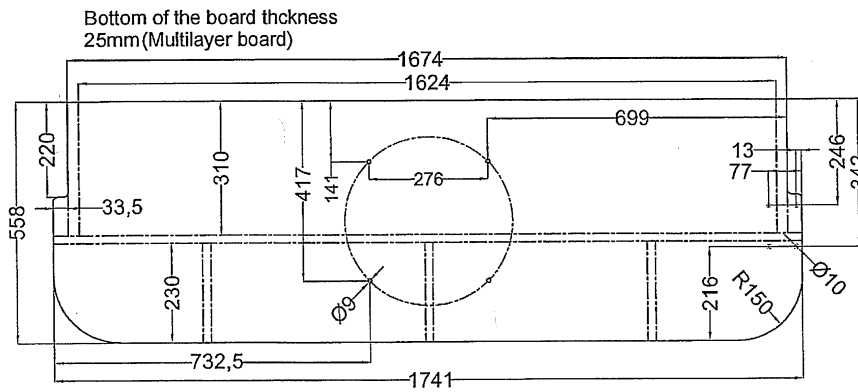
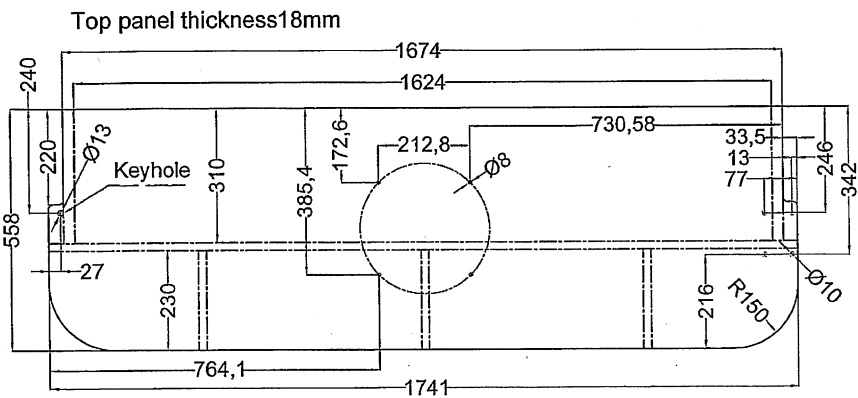
3 Inside the cabinet



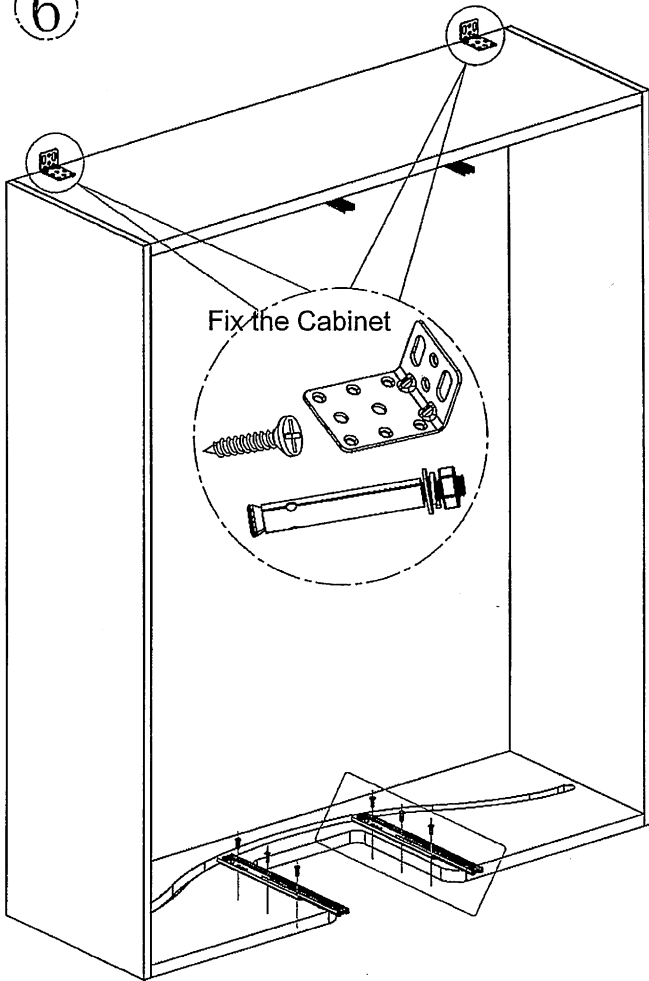
④ Inside the cabinet



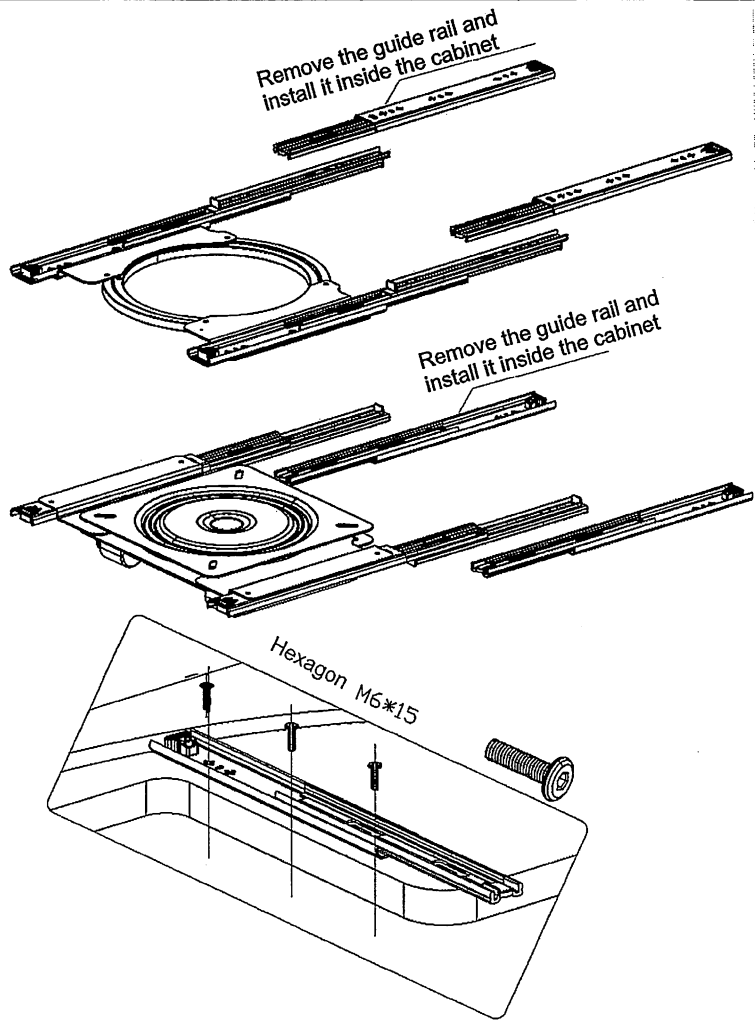
5 Inside the cabinet



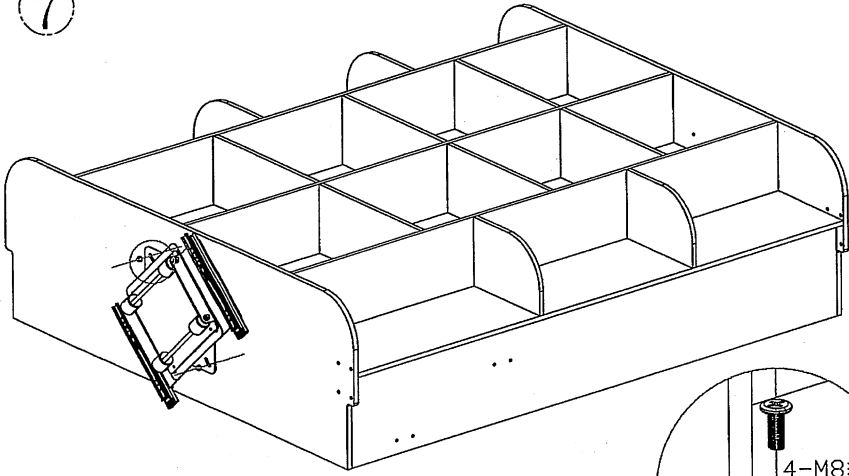
6



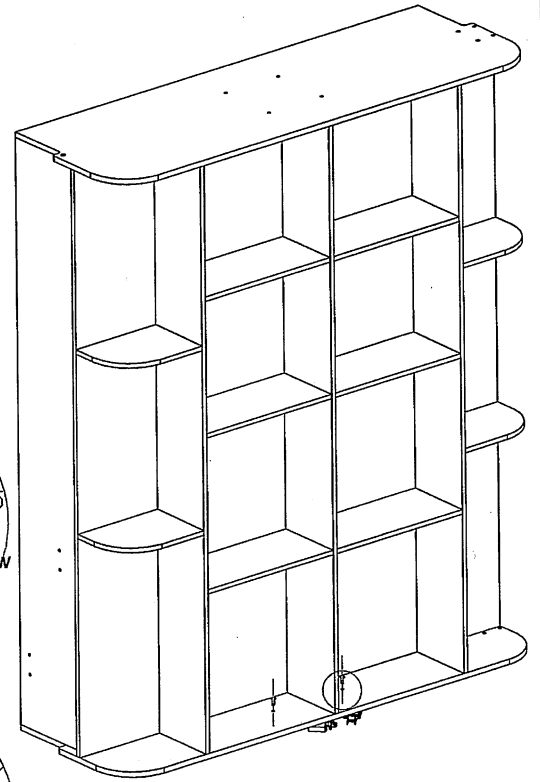
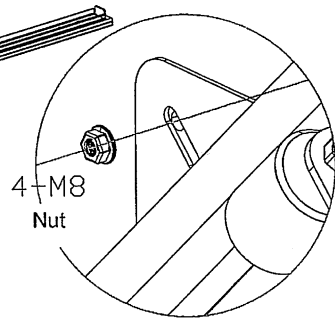
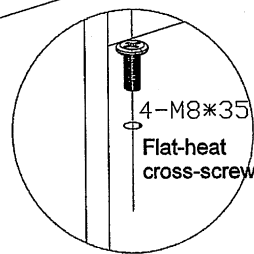
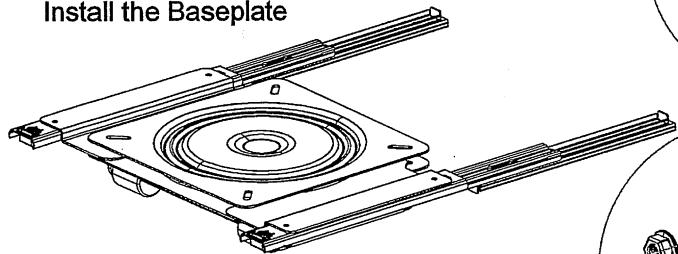
Remove the guide rail and install it inside the cabinet



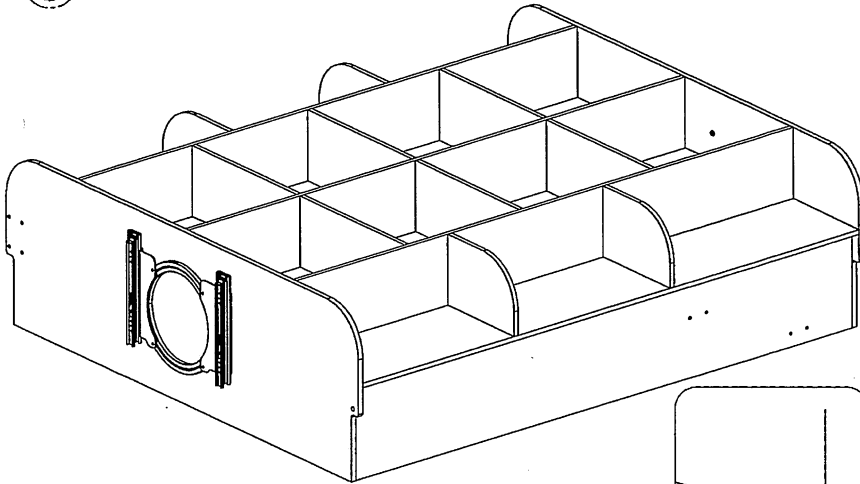
7



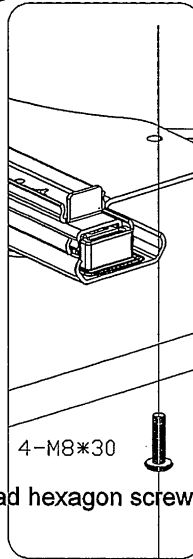
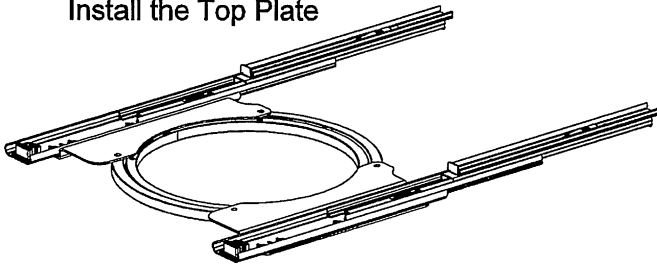
Install the Baseplate



8

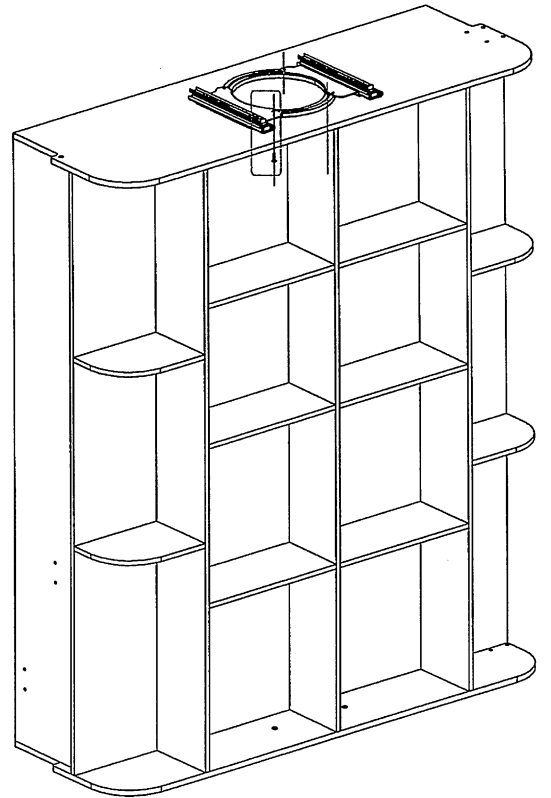


Install the Top Plate

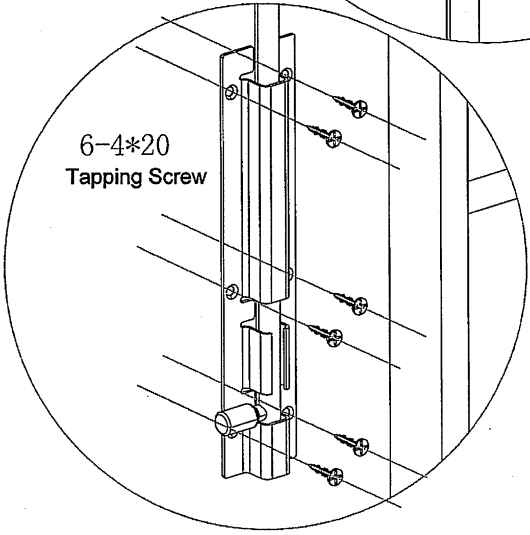
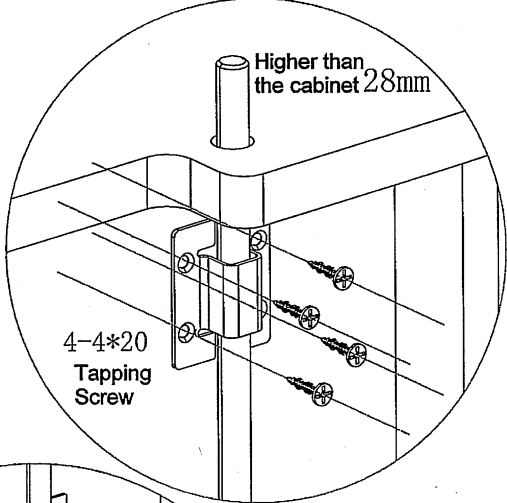
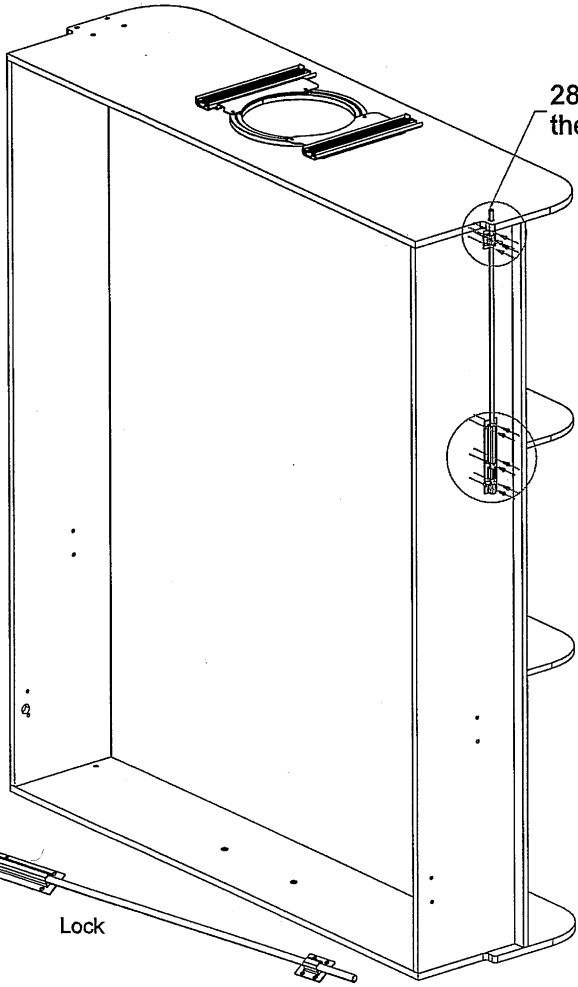


4-M8*30

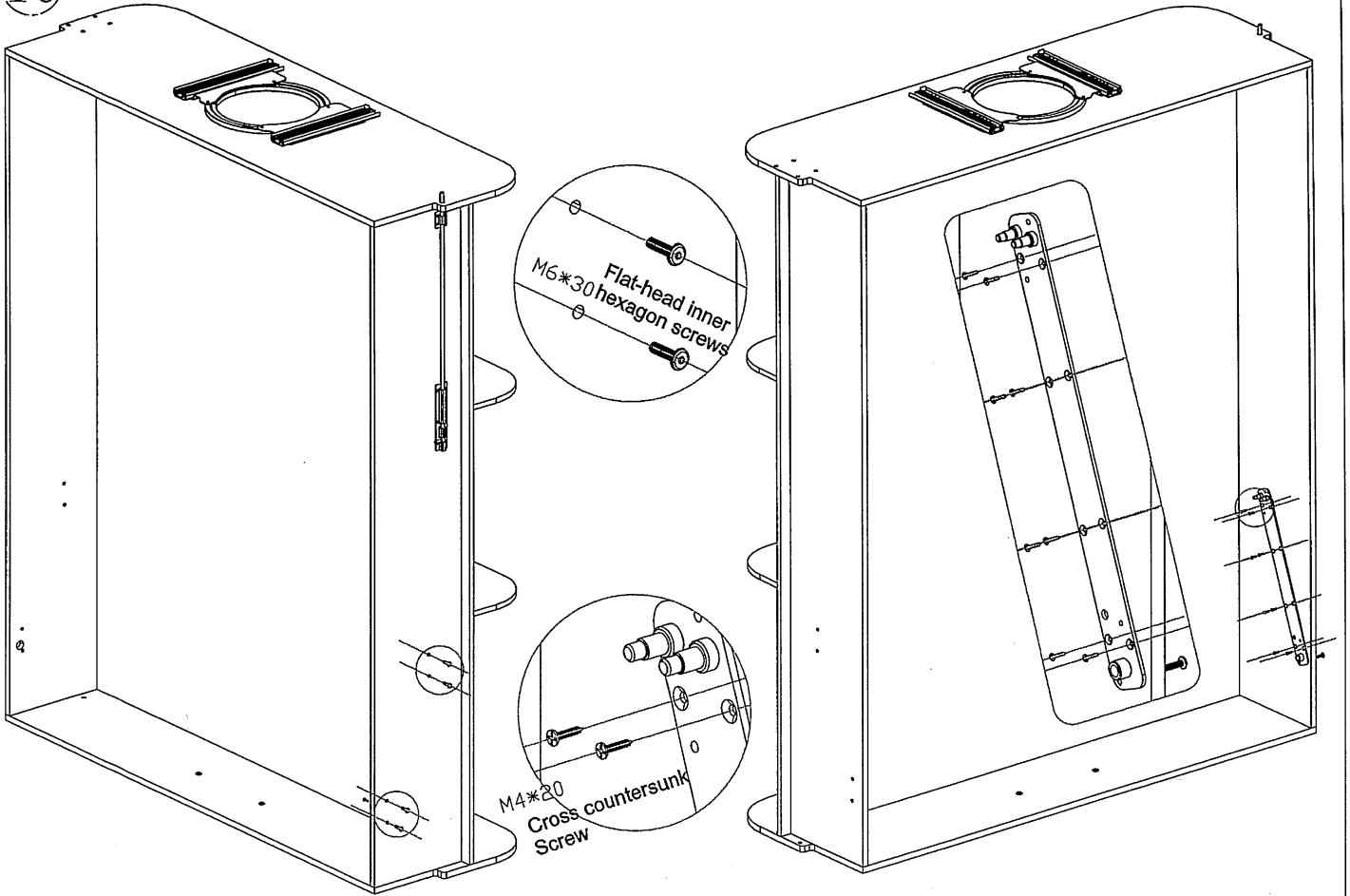
Flat-head hexagon screws



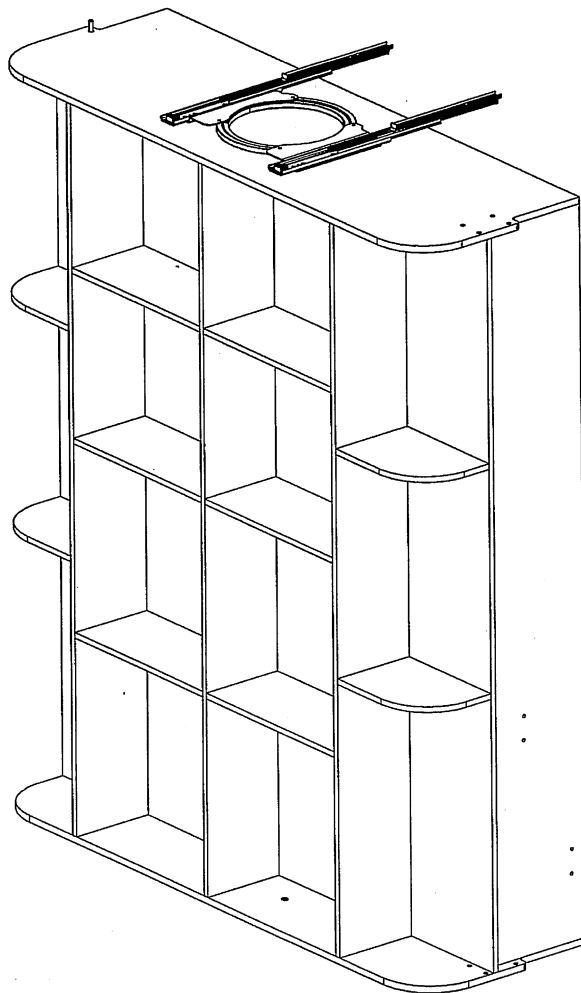
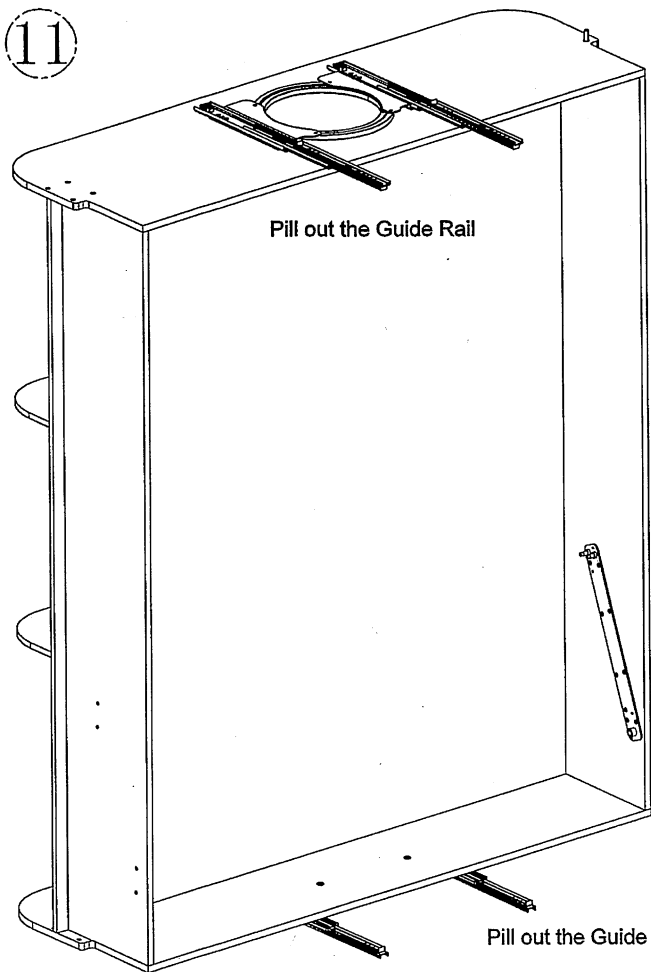
9



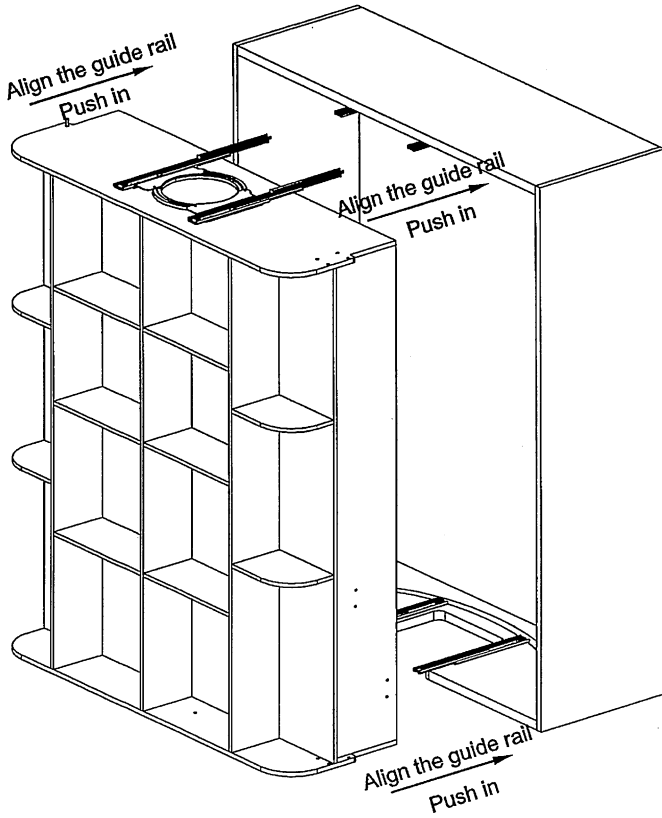
10



11

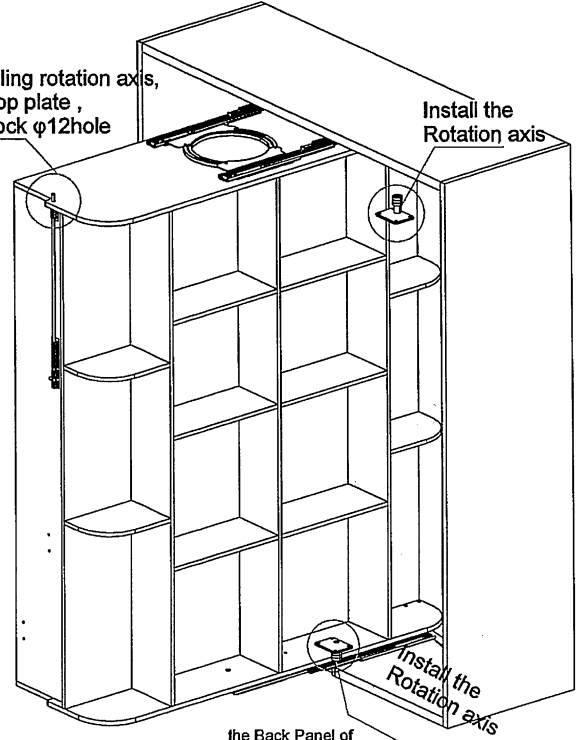


12

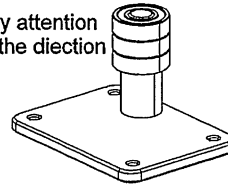


13

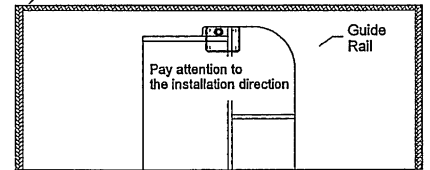
After installing rotation axis,
Align the top plate,
open the lock $\phi 12$ hole



Pay attention to the direction

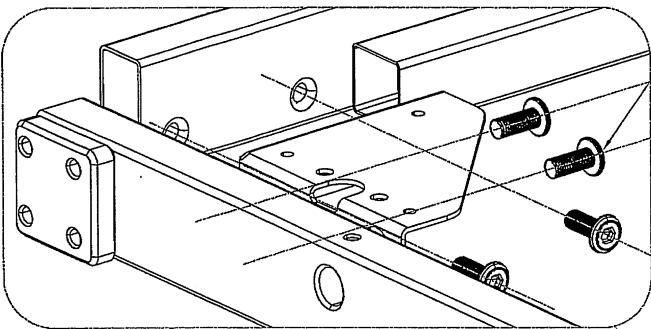


the Back Panel of
outer cabinet

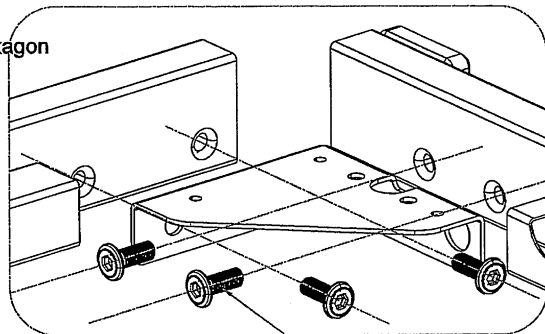


the side of bed frame

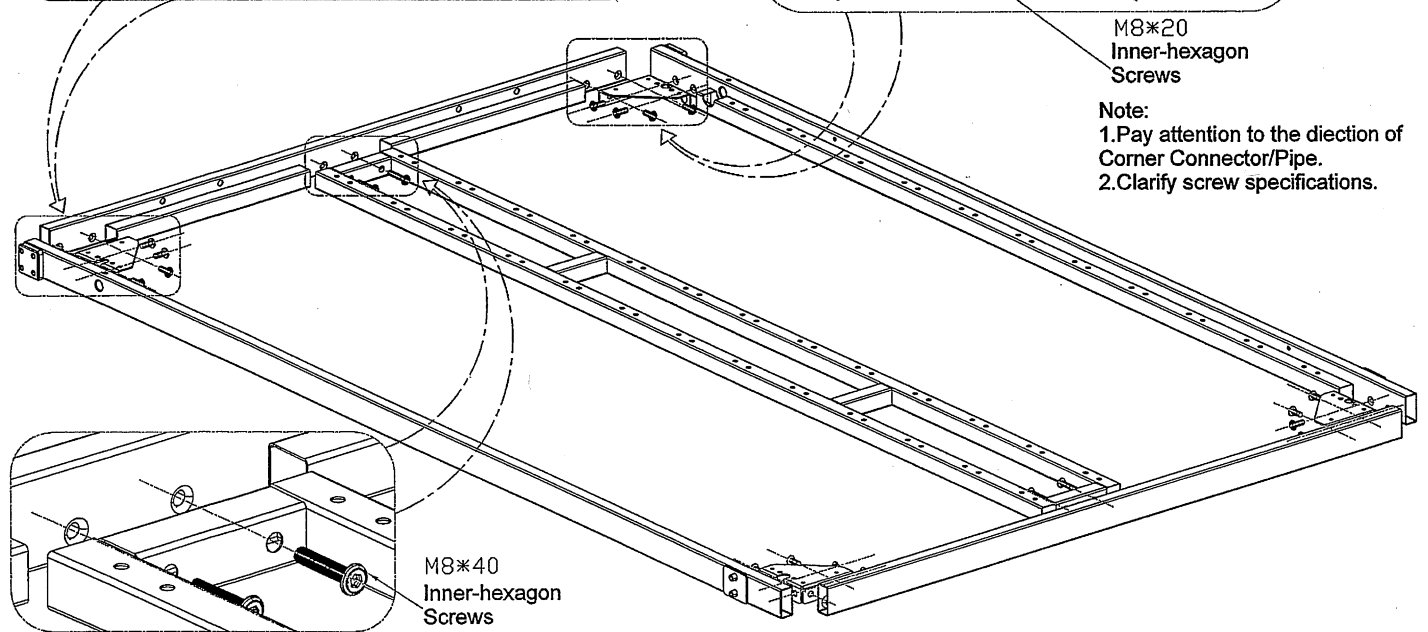
the side of
storage
cabinet



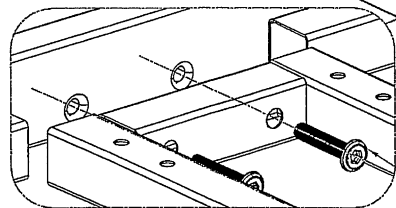
M8*20
Inner-hexagon
Screws



M8*20
Inner-hexagon
Screws

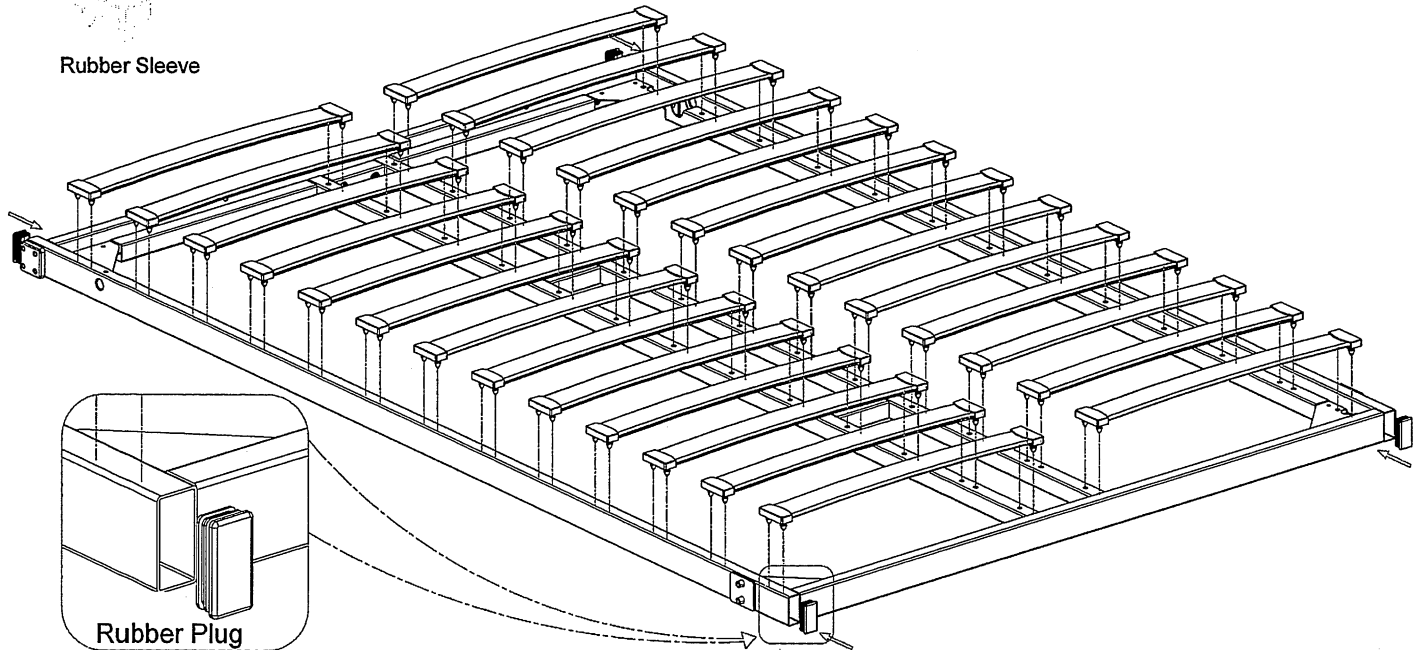
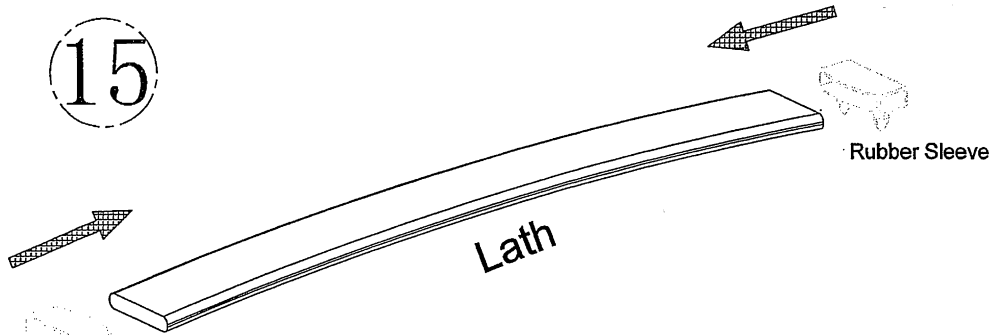


Note:
1. Pay attention to the direction of
Corner Connector/Pipe.
2. Clarify screw specifications.



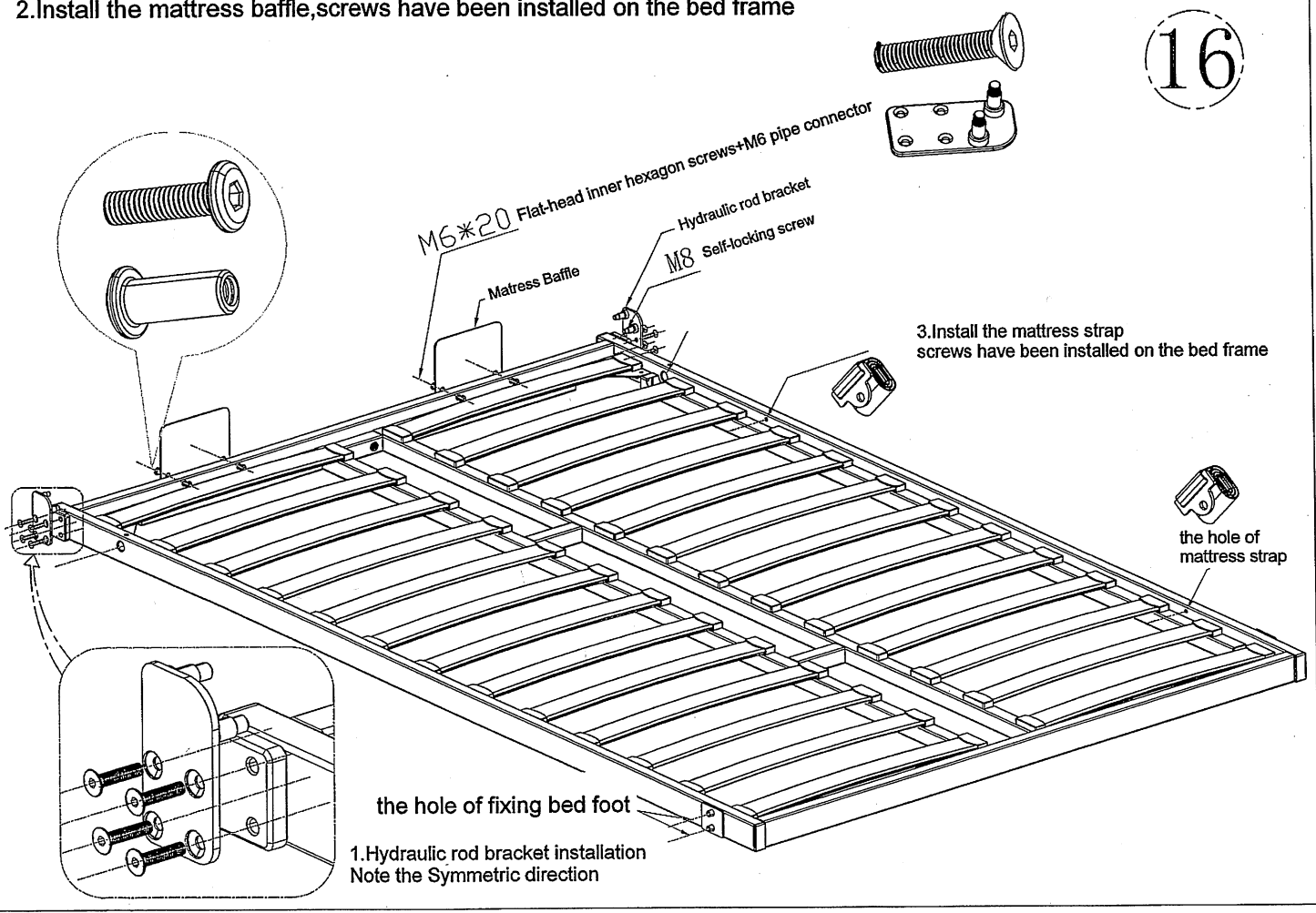
M8*40
Inner-hexagon
Screws

15

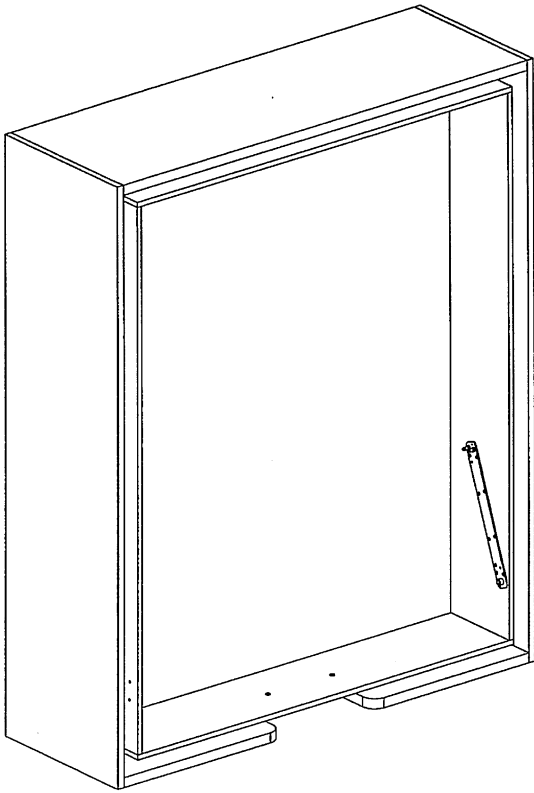


2. Install the mattress baffle, screws have been installed on the bed frame

16

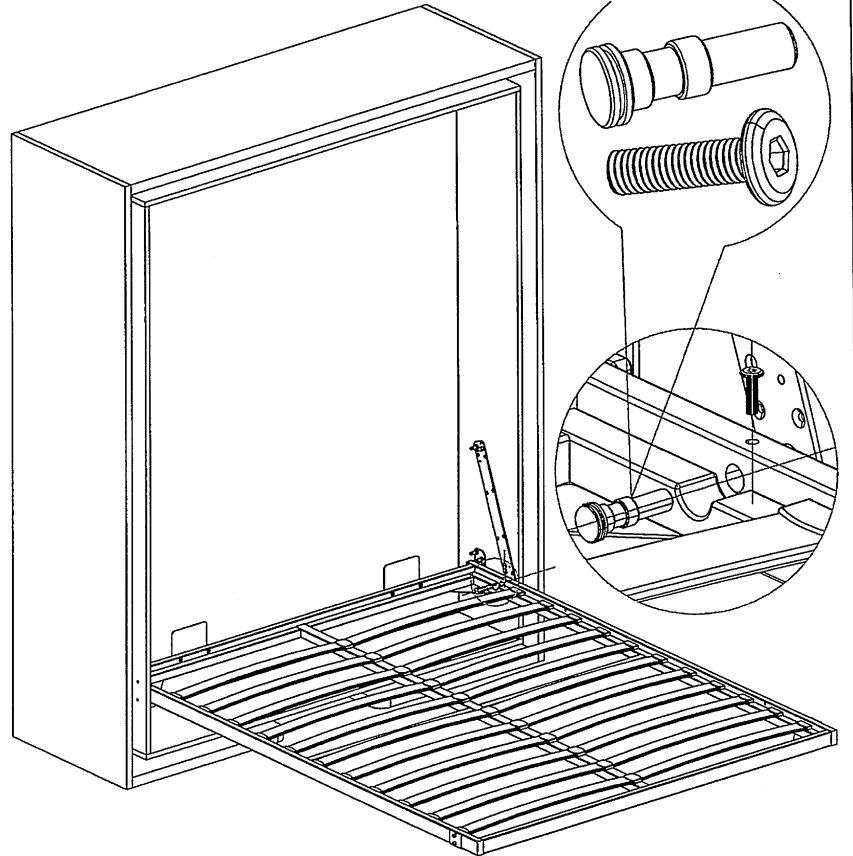


17

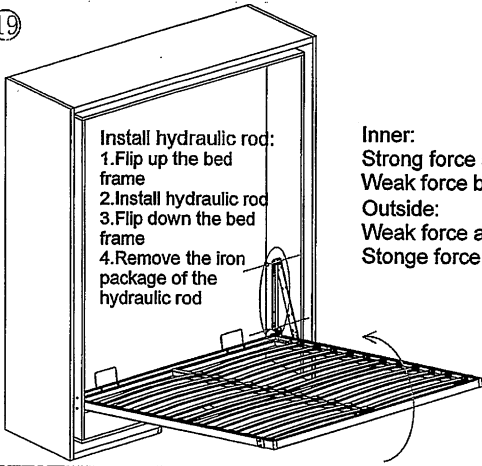


18

Install the Rotating pin

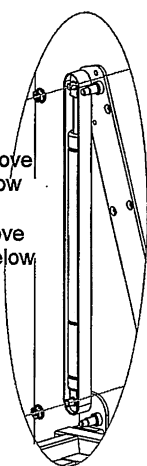


19

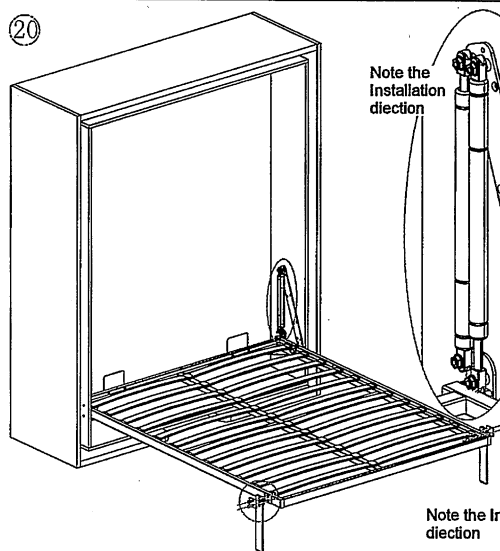


Install hydraulic rod:
 1. Flip up the bed frame
 2. Install hydraulic rod
 3. Flip down the bed frame
 4. Remove the iron package of the hydraulic rod

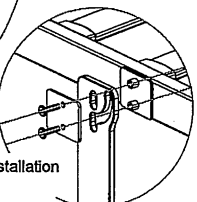
Inner:
 Strong force above
 Weak force below
Outside:
 Weak force above
 Strong force below



20

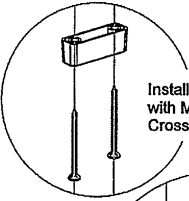
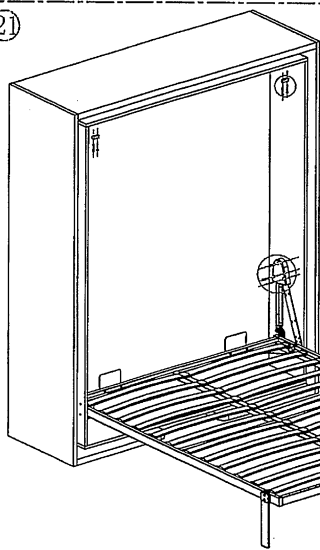


Note the installation direction

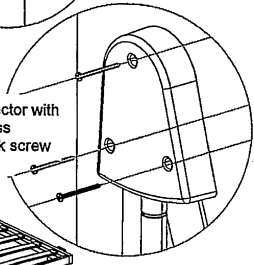


Note the installation direction

21

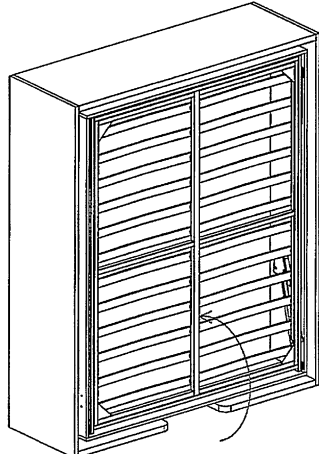


Installing limiters with M4*30 Cross countersunk screw



Install protector with M4*30 Cross countersunk screw

22

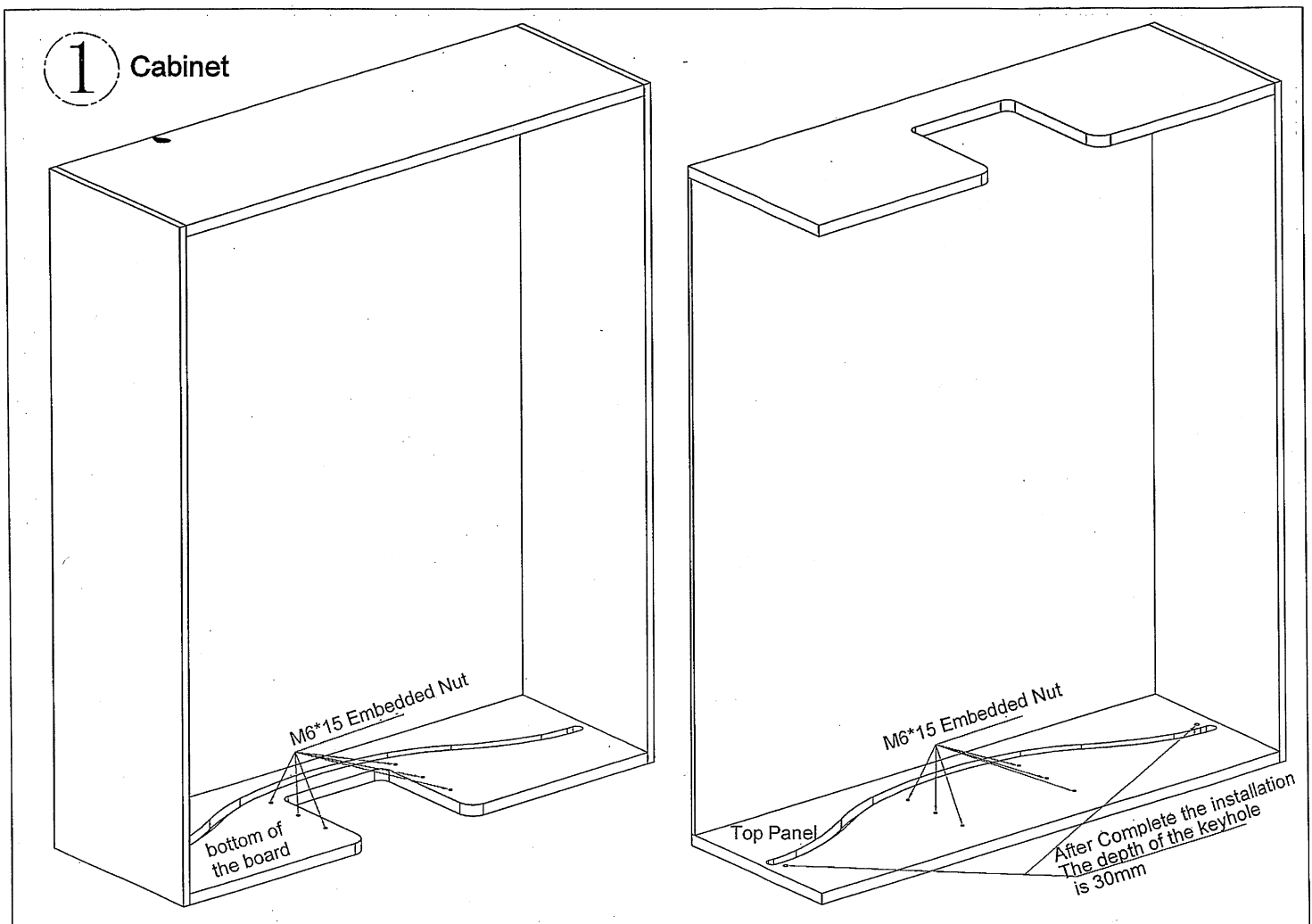




Assembly Instructions

XROTO39

Rotating Wall Bed System



Selby Furniture Hardware Co. Inc.

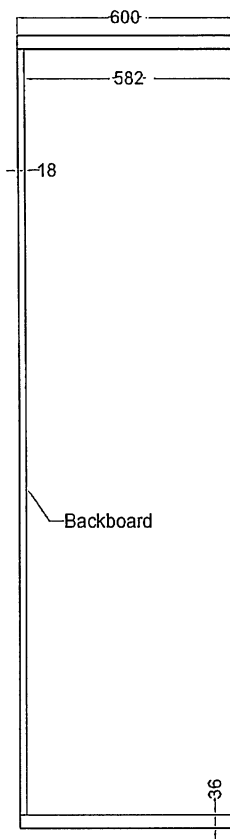
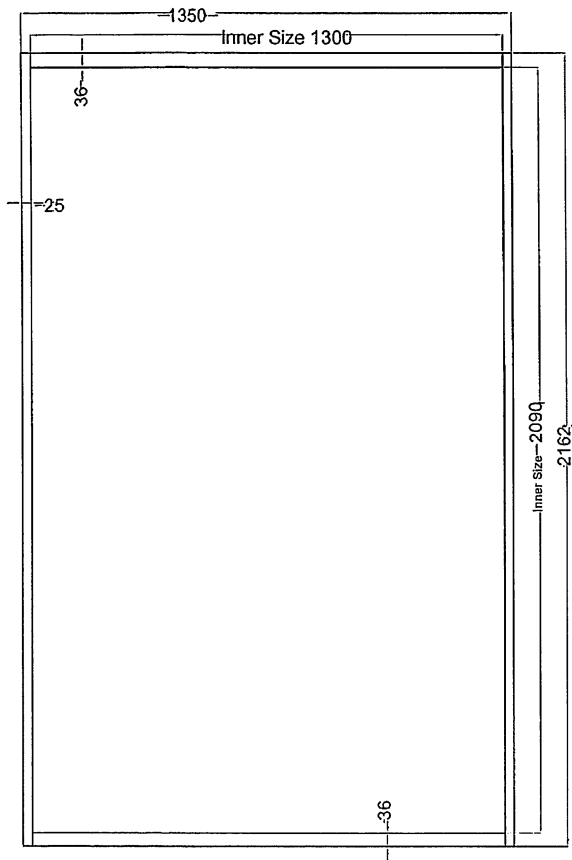
321 Rider Ave.

Bronx, NY 10451

Tel: 1-718-993-3700

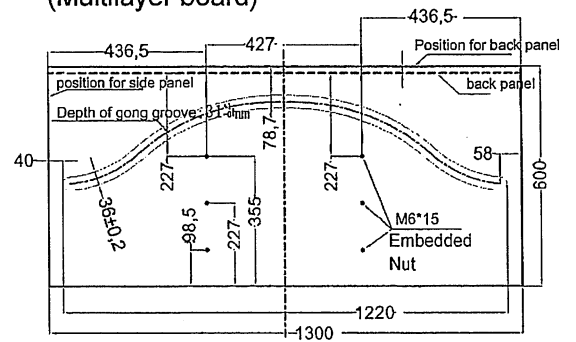
e mail: info@selbyhardware.com

2 Outside the cabinet

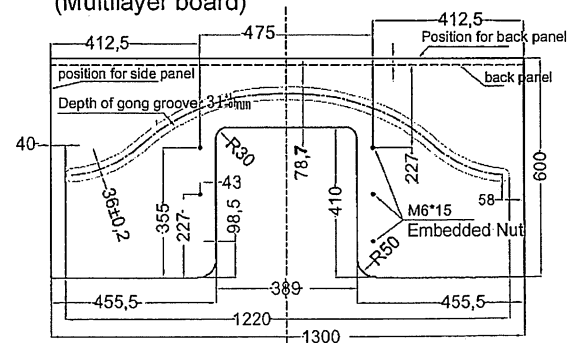


Note:
Suggest using a carving machine for processing

Top panel (Multilayer board)

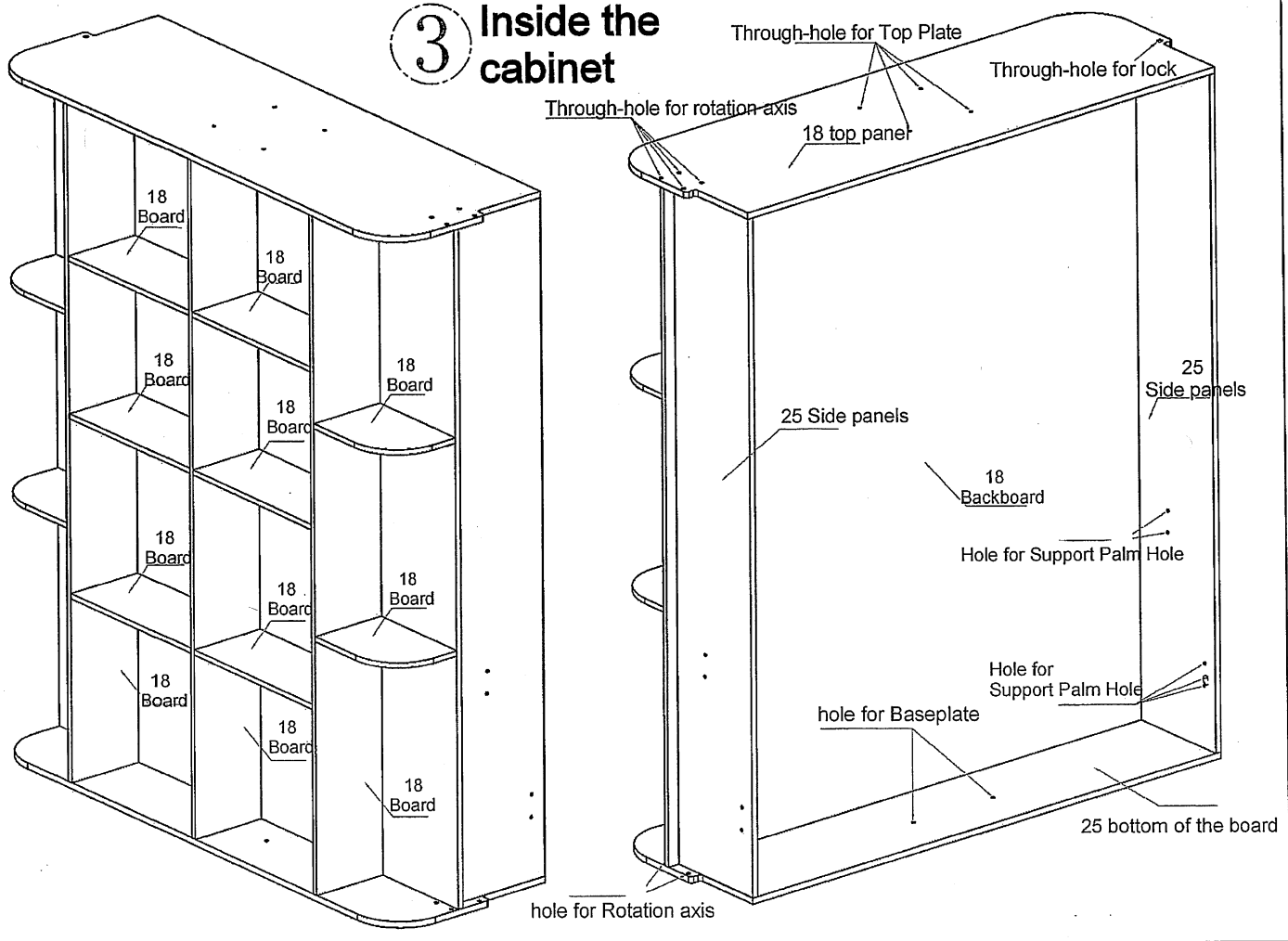


Bottom of the board (Multilayer board)

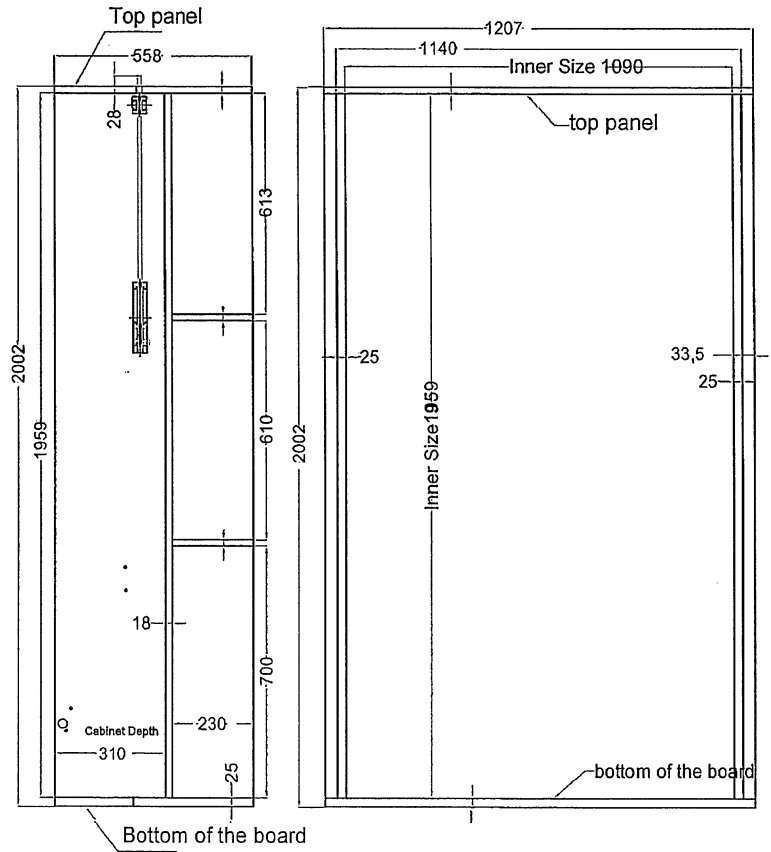
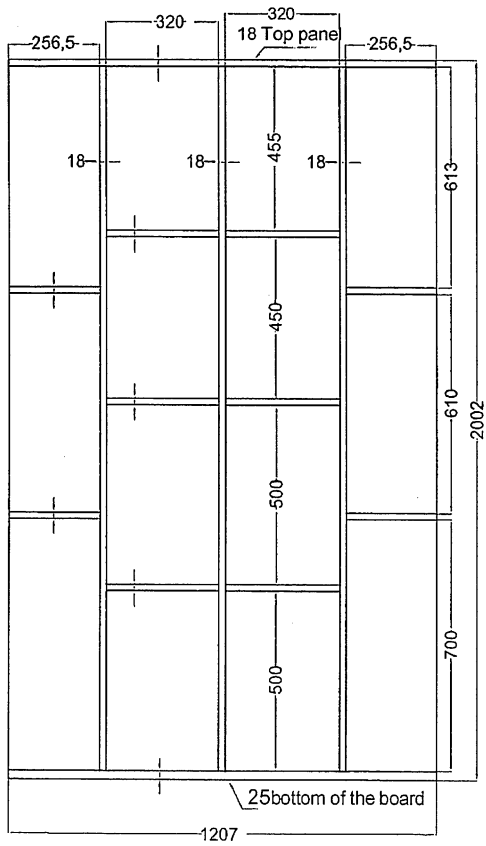


Matress Size: 990*1905*160MM, Weight: 22±1KG

3 Inside the cabinet



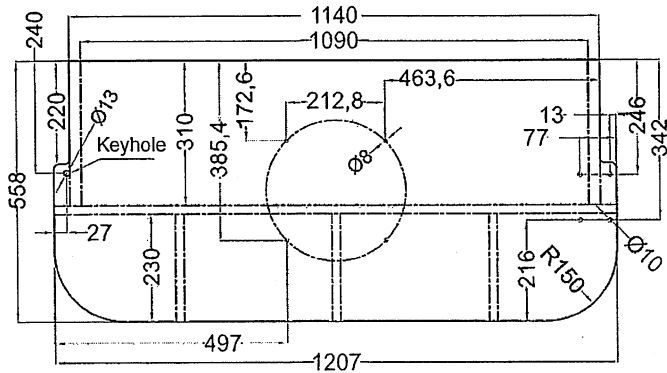
④ Inside the cabinet



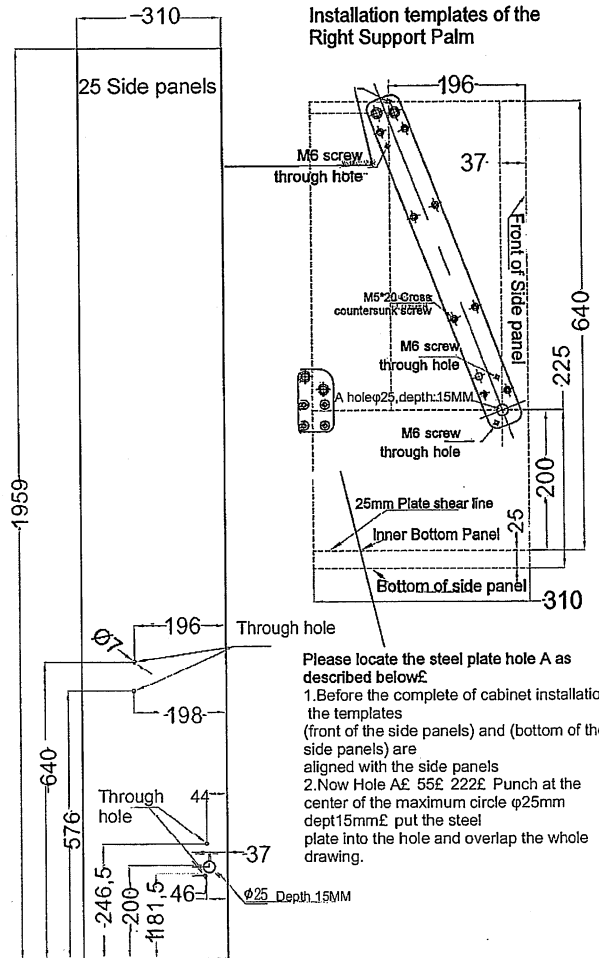
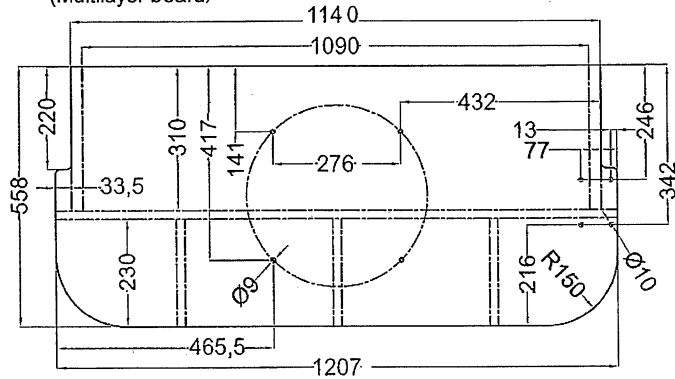
5

Inside the cabinet

Top panel thickness 18mm



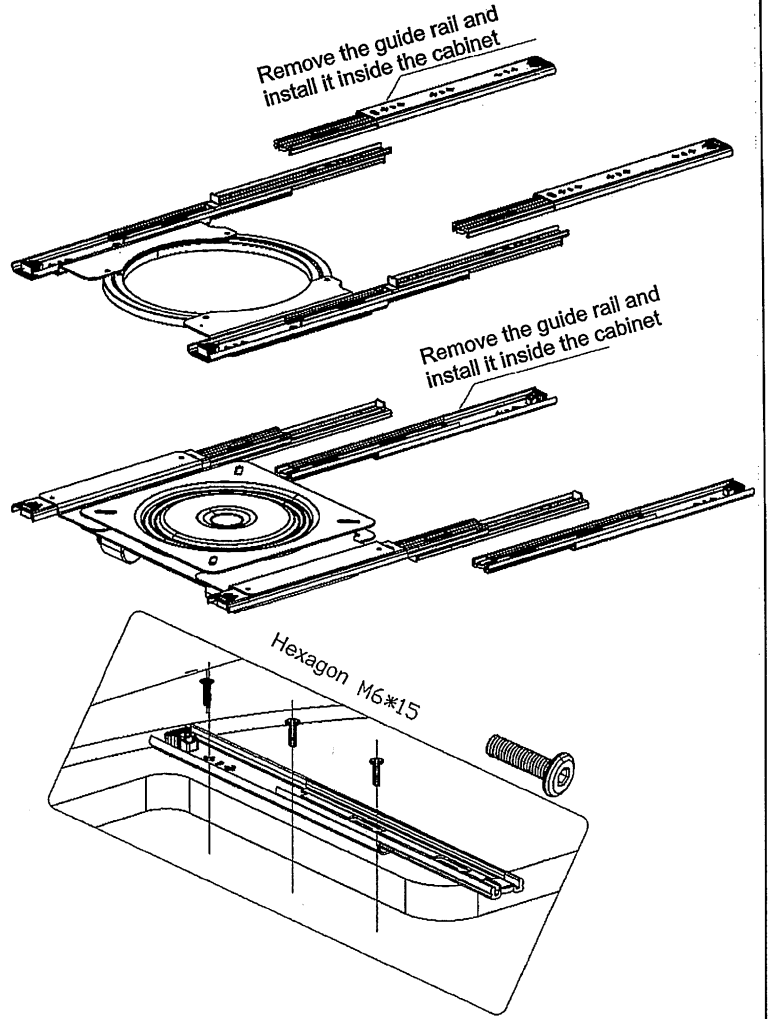
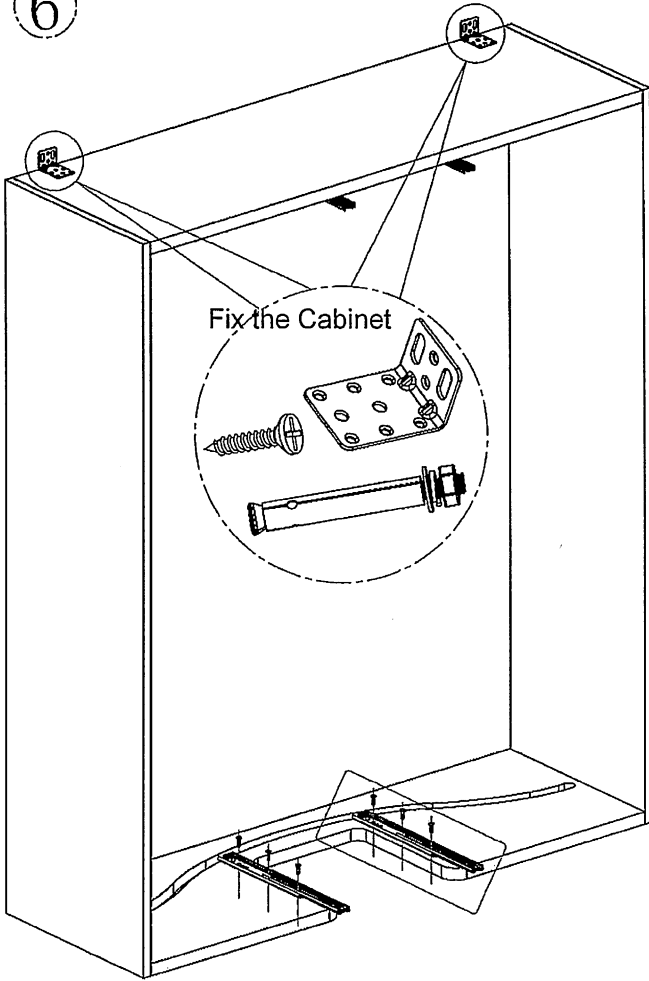
Bottom of the board thickness 25mm
(Multilayer board)



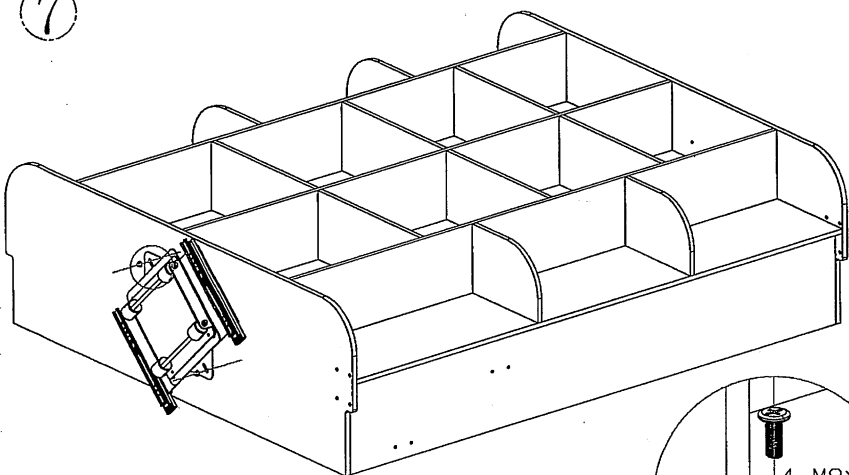
Please locate the steel plate hole A as described below:

1. Before the complete of cabinet installation, the templates (front of the side panels) and (bottom of the side panels) are aligned with the side panels
2. Now Hole A: ϕ 25mm \times 15mm. Punch at the center of the maximum circle ϕ 25mm dept 15mm. Put the steel plate into the hole and overlap the whole drawing.

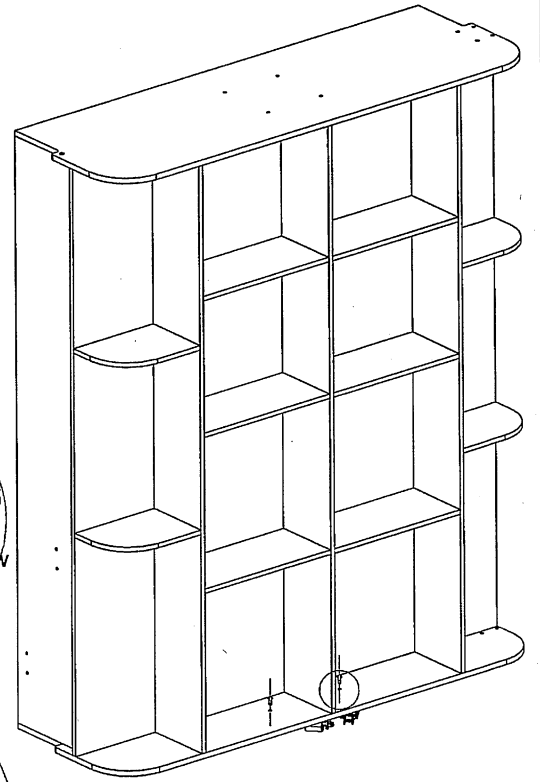
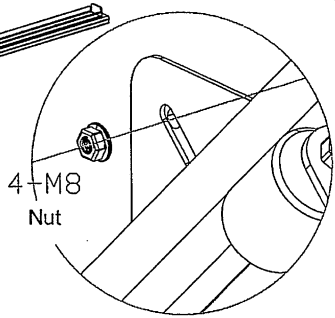
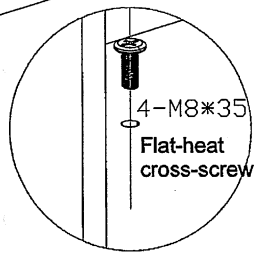
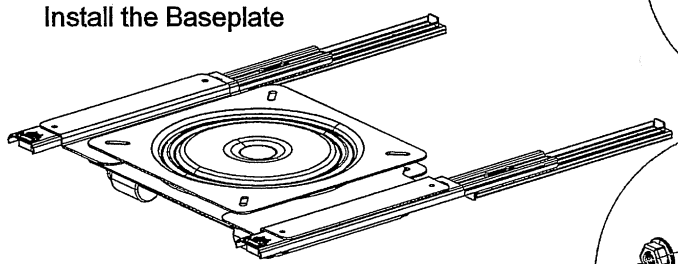
6



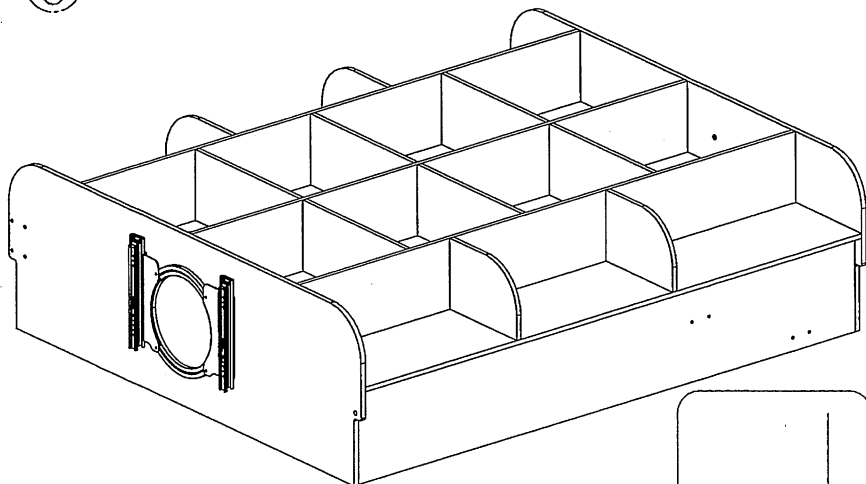
7



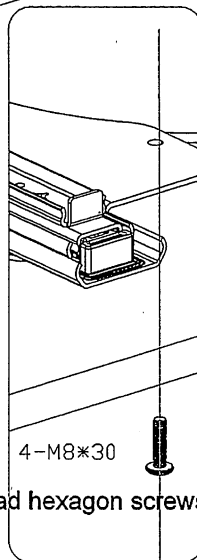
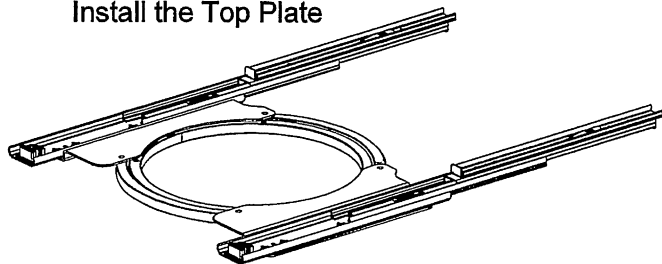
Install the Baseplate



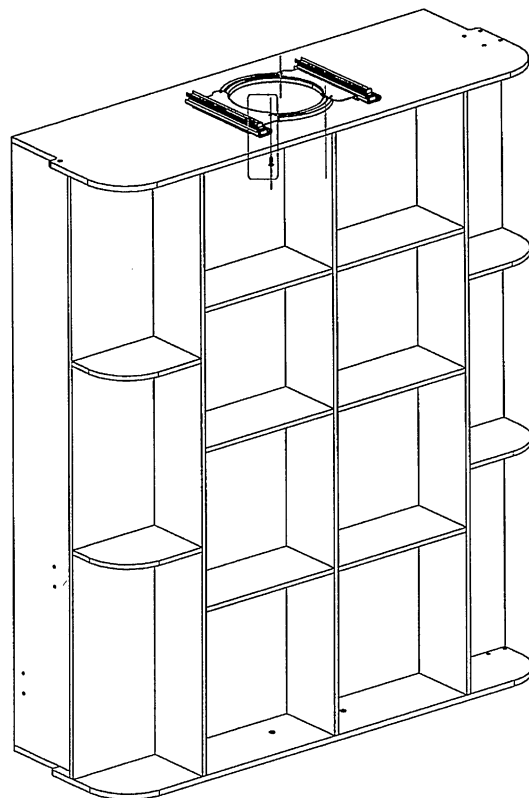
8



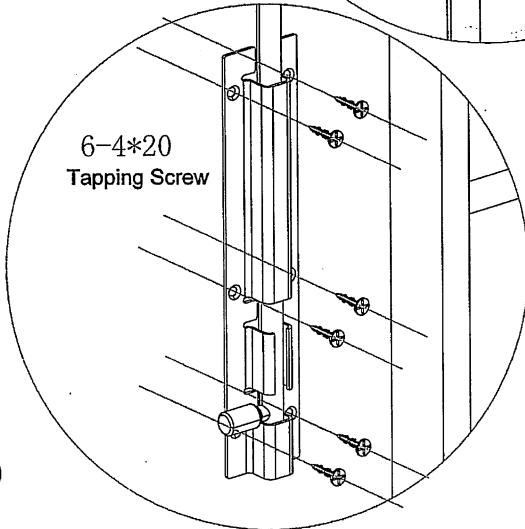
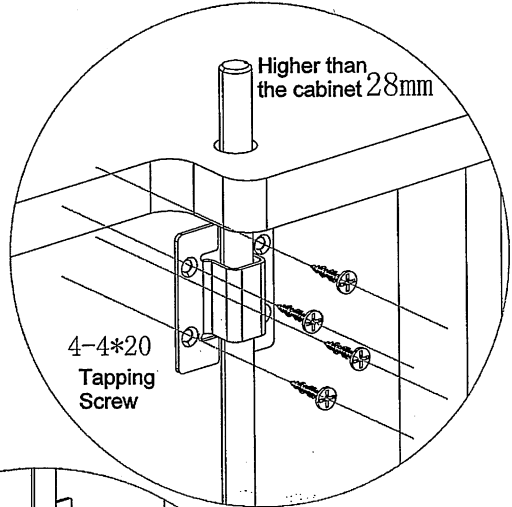
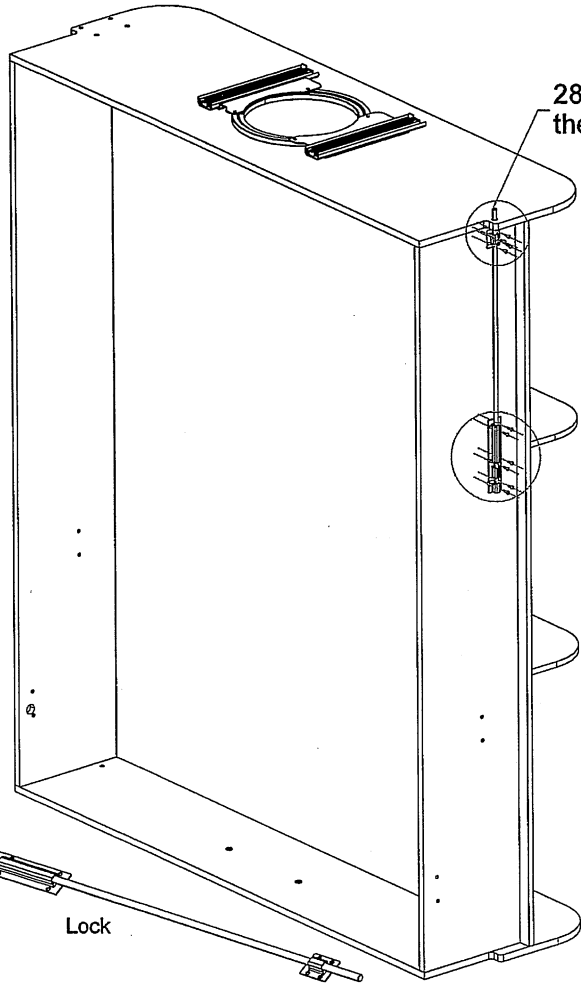
Install the Top Plate



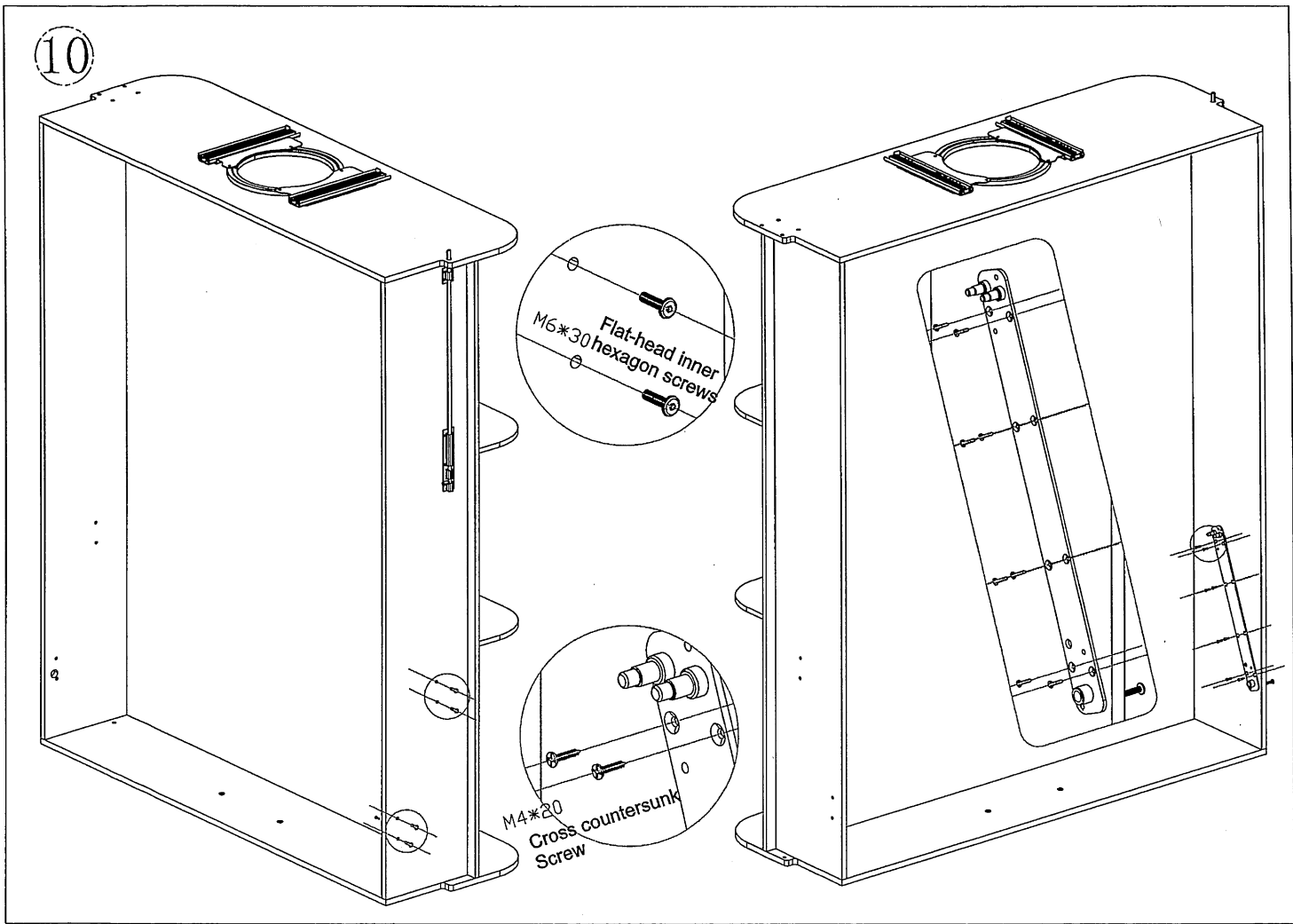
Flat-head hexagon screws



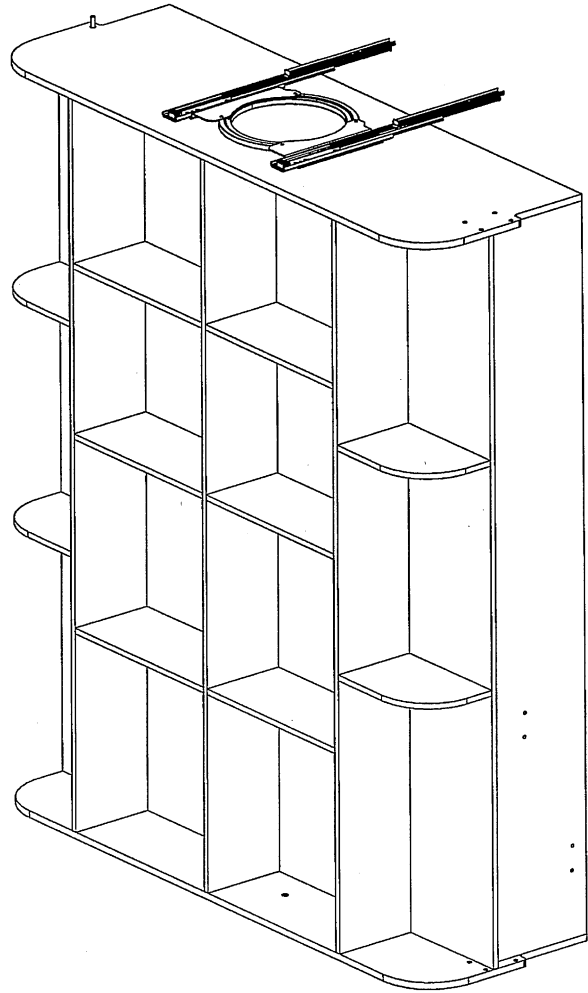
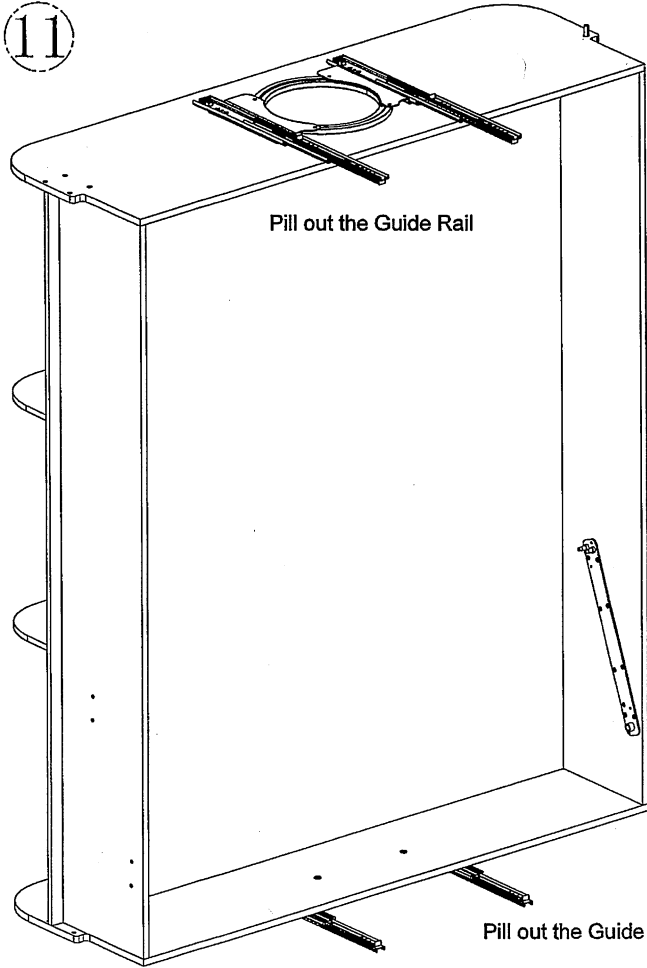
9



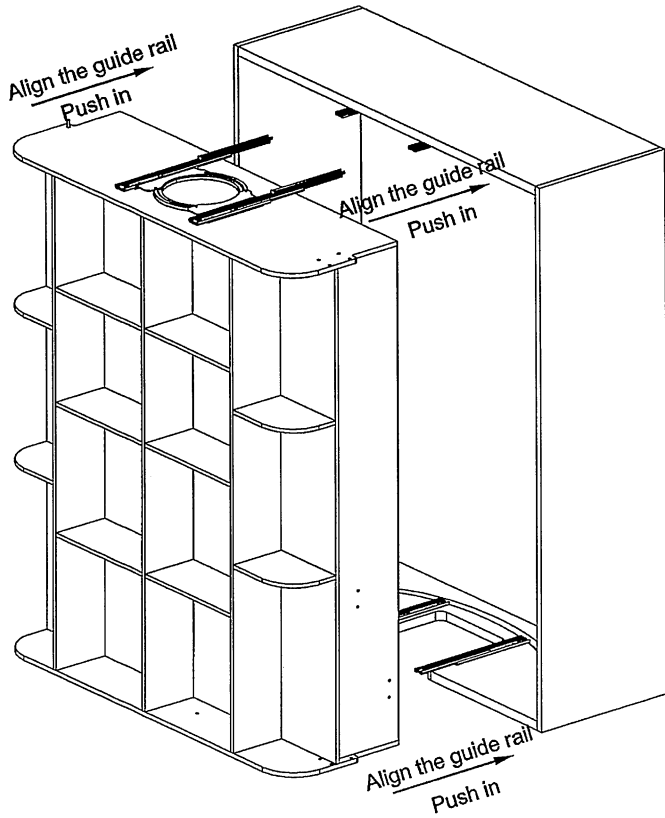
10



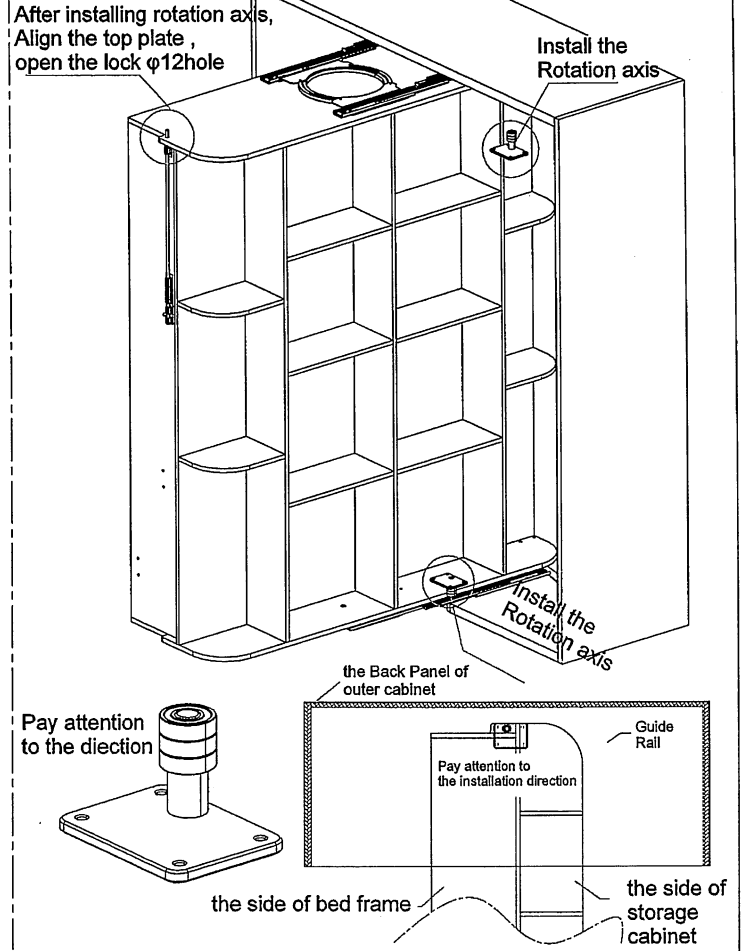
11

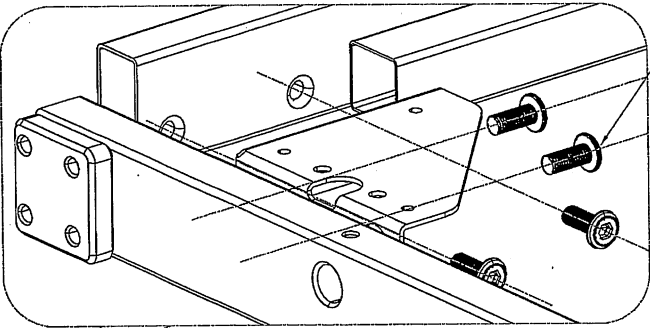


12

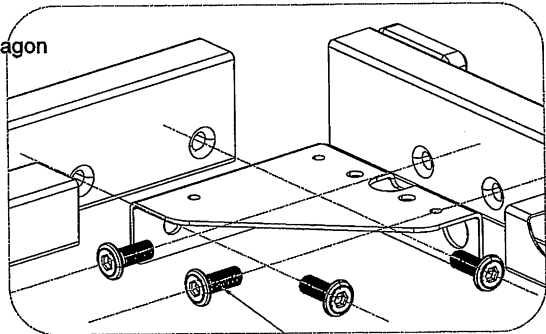


13

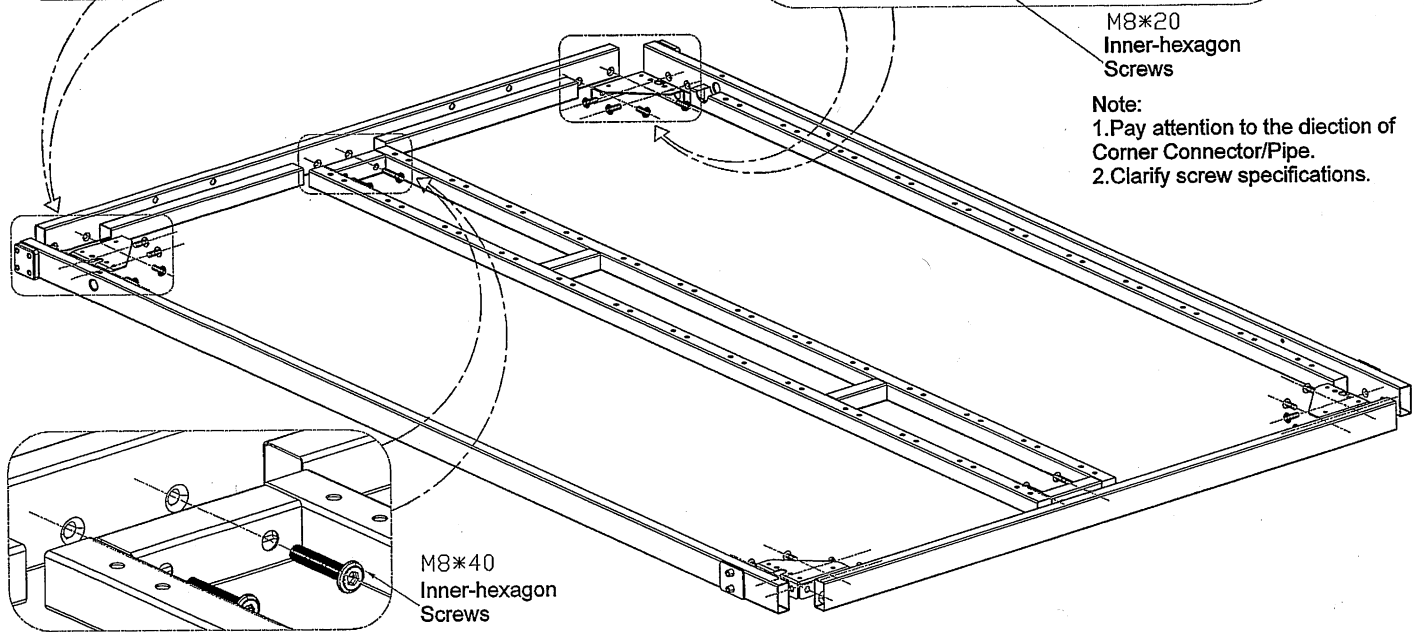




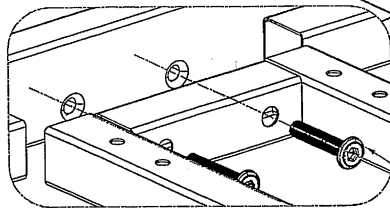
M8*20
Inner-hexagon
Screws



M8*20
Inner-hexagon
Screws

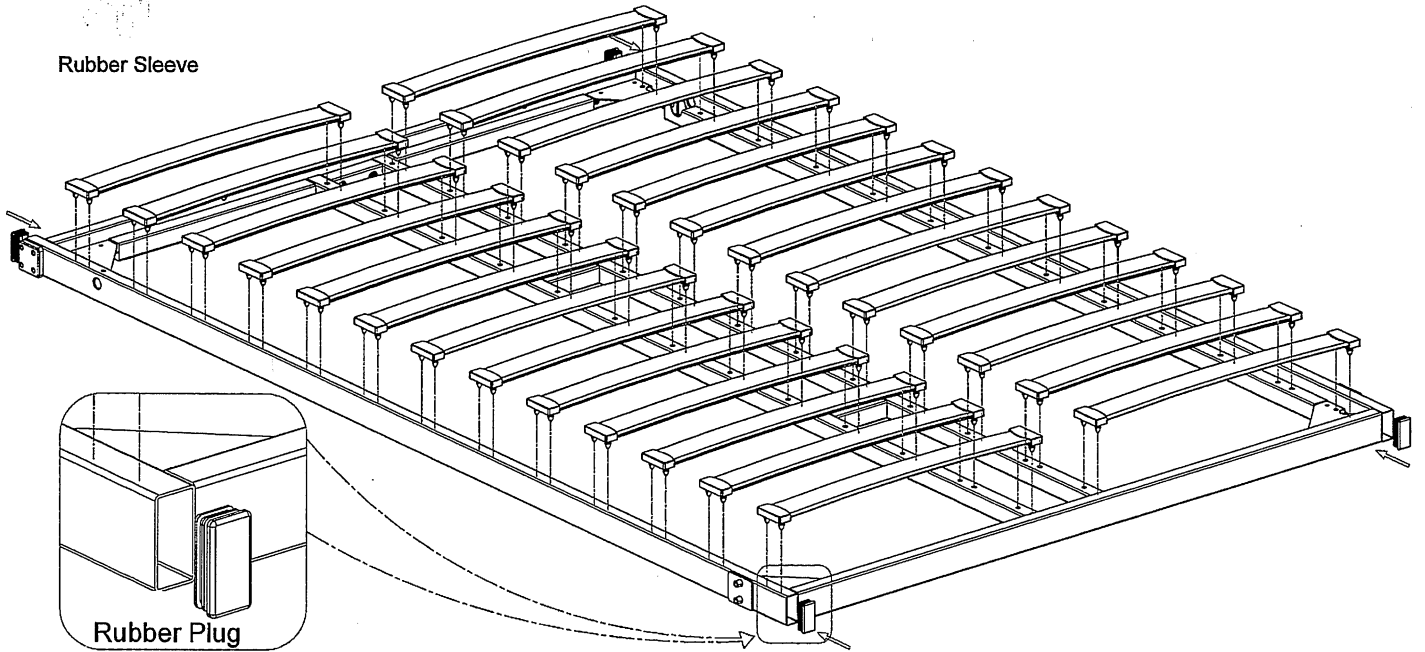
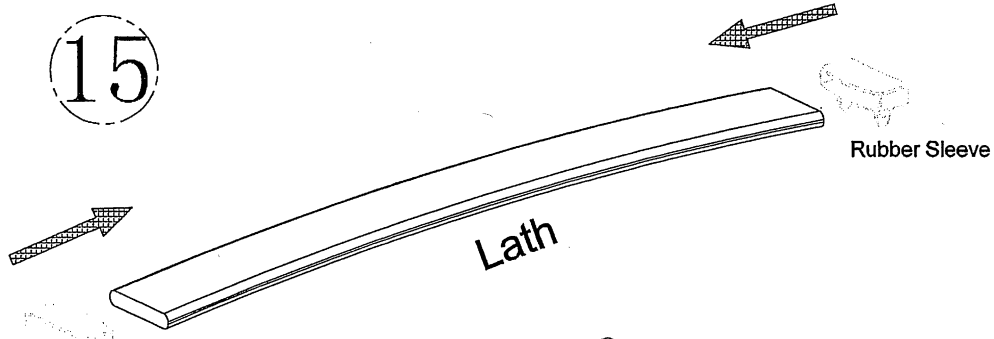


Note:
1. Pay attention to the direction of
Corner Connector/Pipe.
2. Clarify screw specifications.



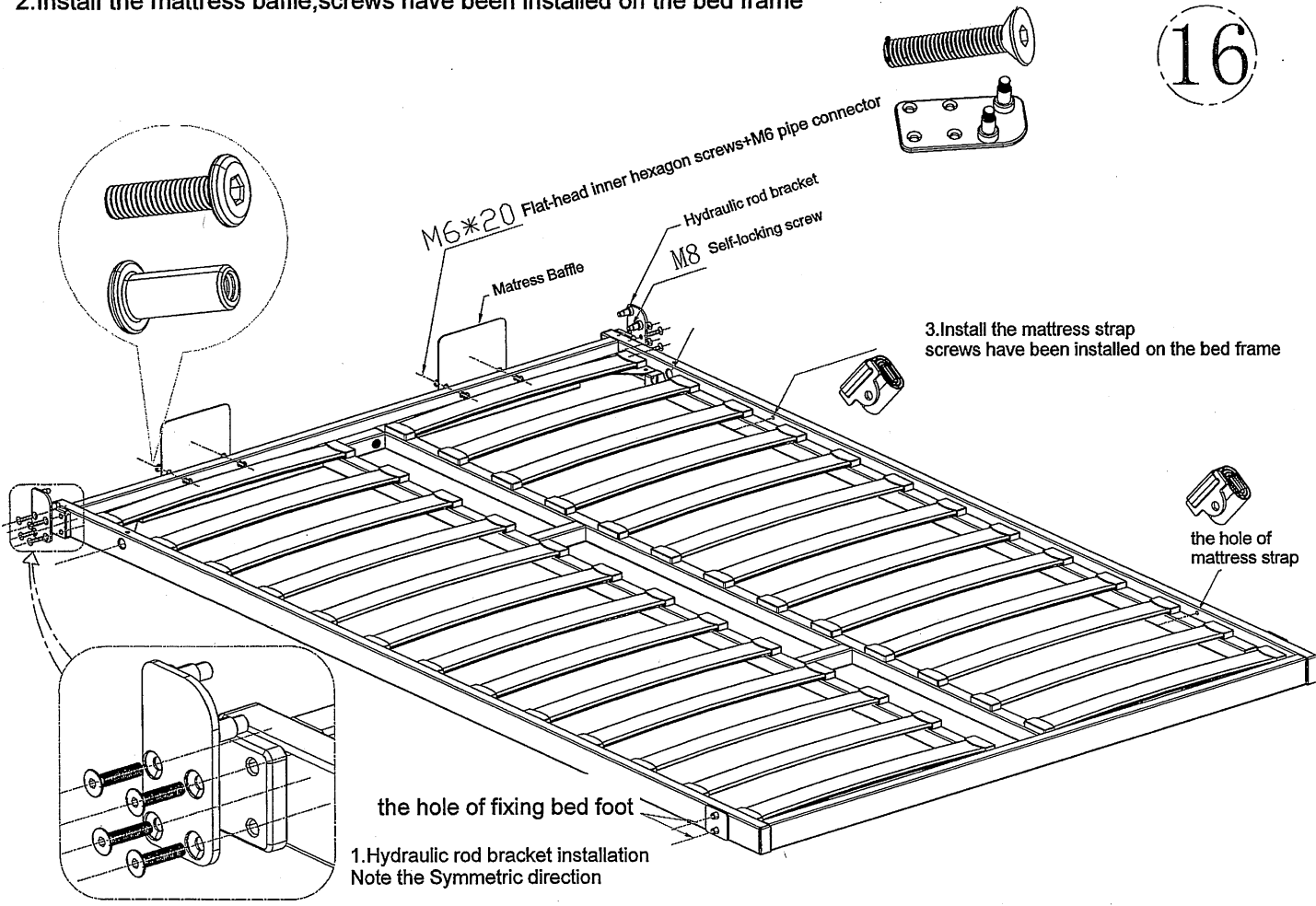
M8*40
Inner-hexagon
Screws

15

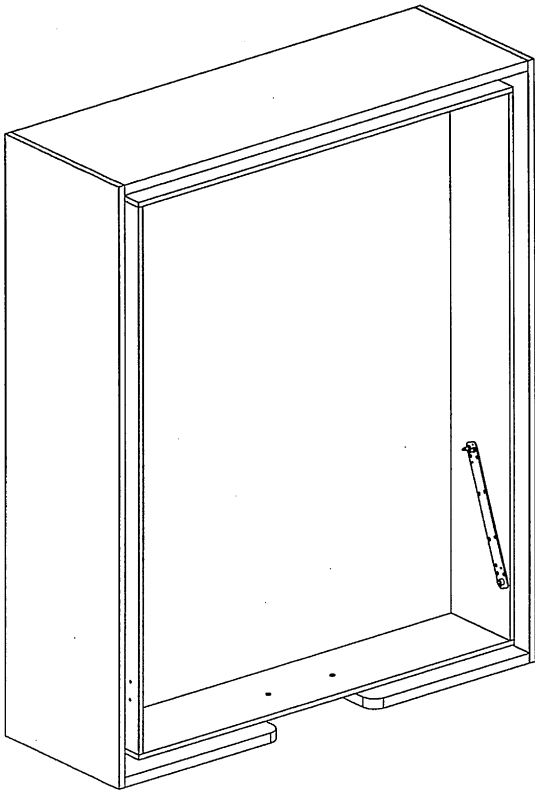


2. Install the mattress baffle, screws have been installed on the bed frame

16

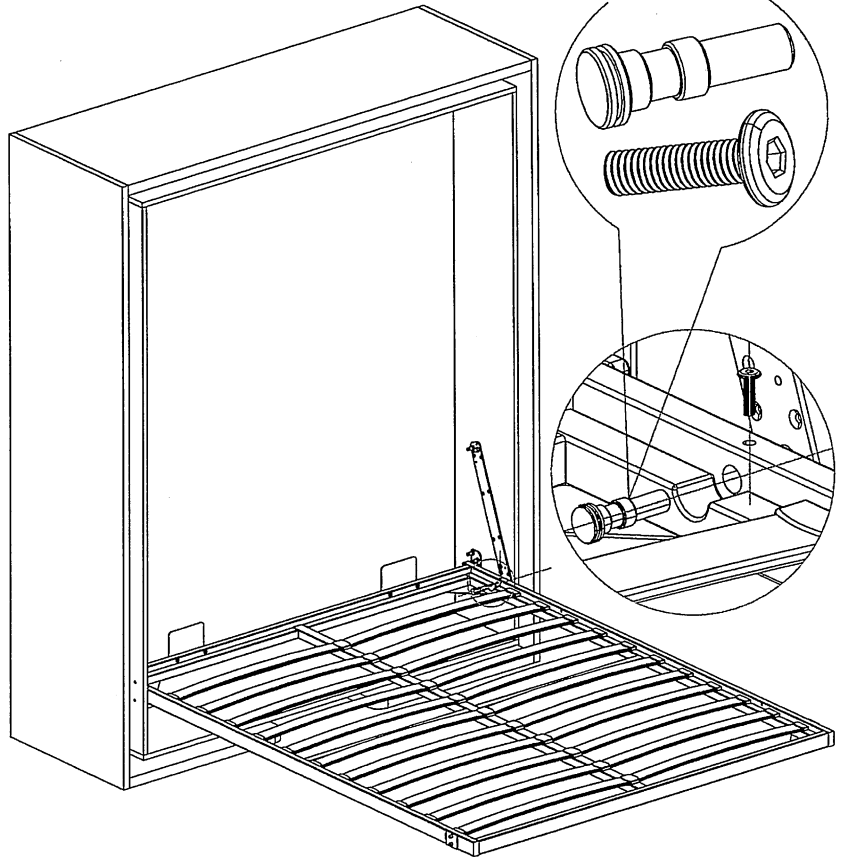


17

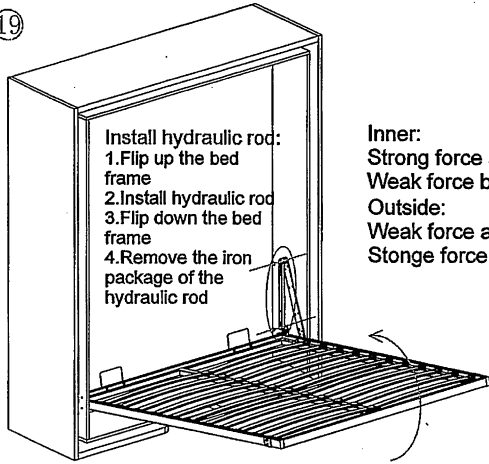


18

Install the Rotating pin

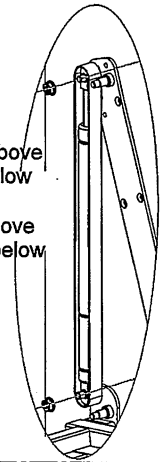


19

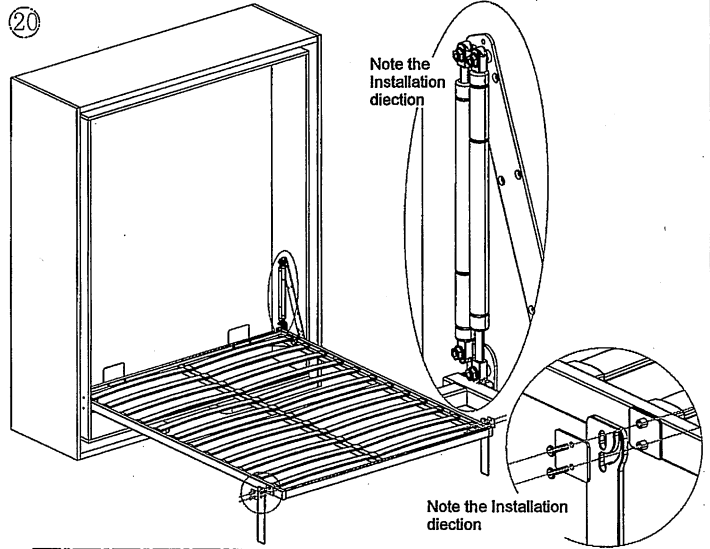


Install hydraulic rod:
 1. Flip up the bed frame
 2. Install hydraulic rod
 3. Flip down the bed frame
 4. Remove the iron package of the hydraulic rod

Inner:
 Strong force above
 Weak force below
Outside:
 Weak force above
 Strong force below



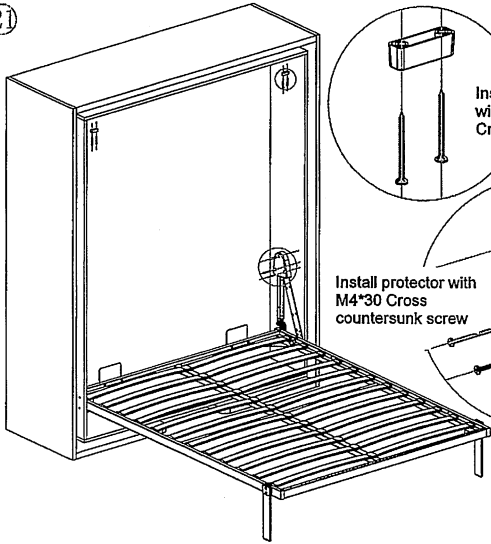
20



Note the
 Installation
 direction

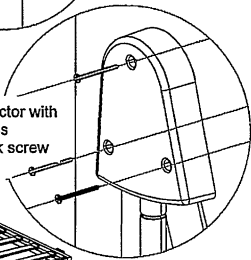
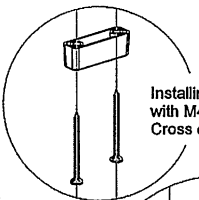
Note the Installation
 direction

21



Installing limiters
 with M4*30
 Cross countersunk screw

Install protector with
 M4*30 Cross
 countersunk screw



22

